



INSTALLATION INSTRUCTIONS

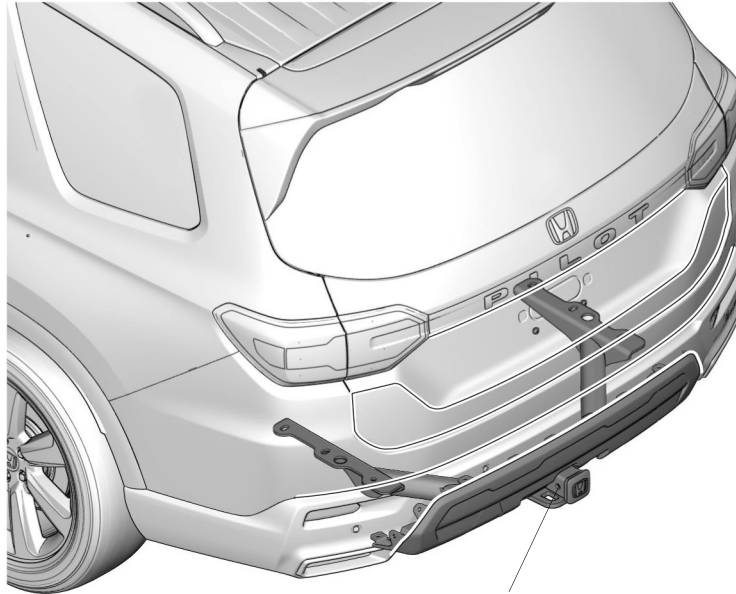
Accessory
TRAILER HITCH

Application
2023 PILOT
MODEL SERIES

Publications No.
VERSION 1
Issue Date
NOV 2022

GENERAL VIEW

If you are also installing trailer hitch harness, install it before you install the trailer hitch.



TRAILER HITCH

QM51001AG

FOR YOUR SAFETY (Read carefully.)

Warning Symbols

Safety: Your safety, and the safety of others, is important. To help you make informed decisions about service procedures, we have provided safety messages where appropriate. Of course, it is not practical or possible to warn you about all the hazards associated with servicing a vehicle - you must use your own good judgment.

You will find important safety messages preceded by one of the following symbols:

*All symbols are not used in all installation instructions.

⚠ DANGER

You will be killed or seriously hurt if you do not follow the instructions.

⚠ WARNING

You can be killed or seriously hurt if you do not follow the instructions.

⚠ CAUTION

You can be hurt if you do not follow the instructions.

NOTICE

Gives advice to prevent damage to the product, vehicle, the environment or other property.

NOTE

Gives helpful information or instructions to be followed when installing this product.

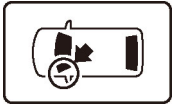


Indicates a prohibited action.

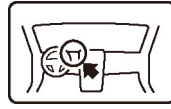
Procedure and Location Icons

These icons indicate the work location and the worker's point of view.

*All icons are not used in all installation instructions.



The location on the vehicle.



The location in the vehicle.
(Instrument panel.)



Wear eye protection.



Wear heavy gloves.



Use an assistant.



Place the part on a blanket.



Work perpendicular.



Remove any burrs.



Use touch-up paint and allow to dry.



Tighten to the specified torque.



Apply firm pressure while rolling, especially at the ends, to set the adhesive.



Press firmly.

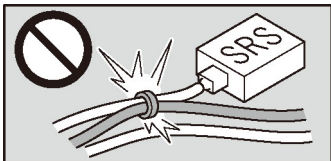


Clean with isopropyl alcohol.

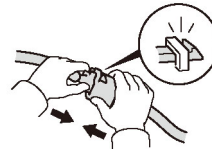


Return the original part to the customer.
(Do not reuse.)

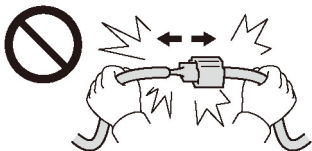
Wire Harness Routing Precaution



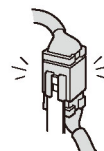
Do not secure the accessory harness to the SRS harness.
(except for instruction cases.)



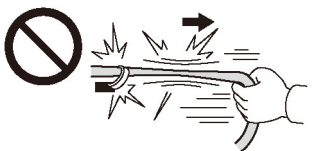
Push the connectors and terminals together until they lock.



Do not pull the harness to unplug the connectors.



Install removed connectors in their original location.



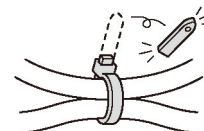
Do not pull the harness.



Secure the accessory harness as shown.



Do not pinch the harness.



Cut off the excess wire tie.

Safety: General

- Observe all safety notes and precautions described in the service information, in addition to those described in this Installation Instruction. Be extremely careful for your safety and safety of others.
- Be careful not to damage the vehicle or the parts.
- Be extremely careful when handling retaining tabs and clips.
- Note the locations of the parts before removing them so they can be properly installed in their original positions.
- The illustrations may differ slightly from the actual accessory.

Safety: Electric Parts

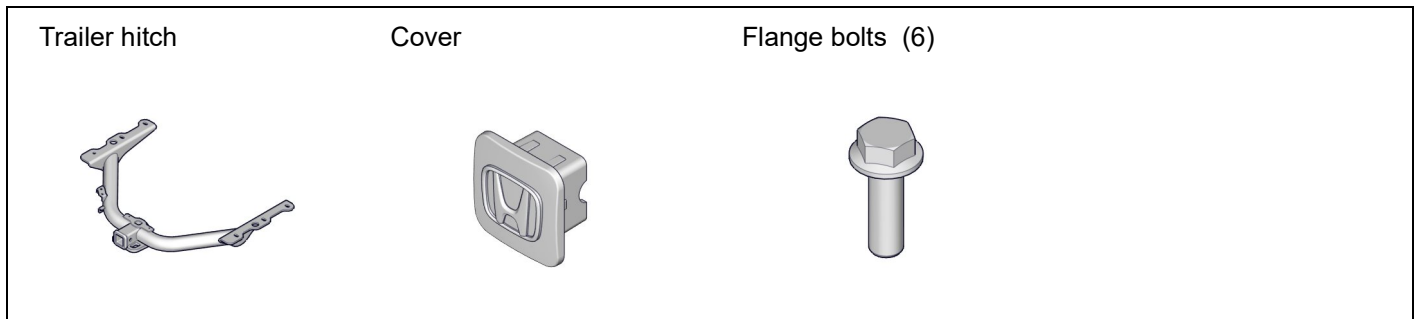
Always disconnect the negative cable from the battery before beginning work.

Safety: Accessory

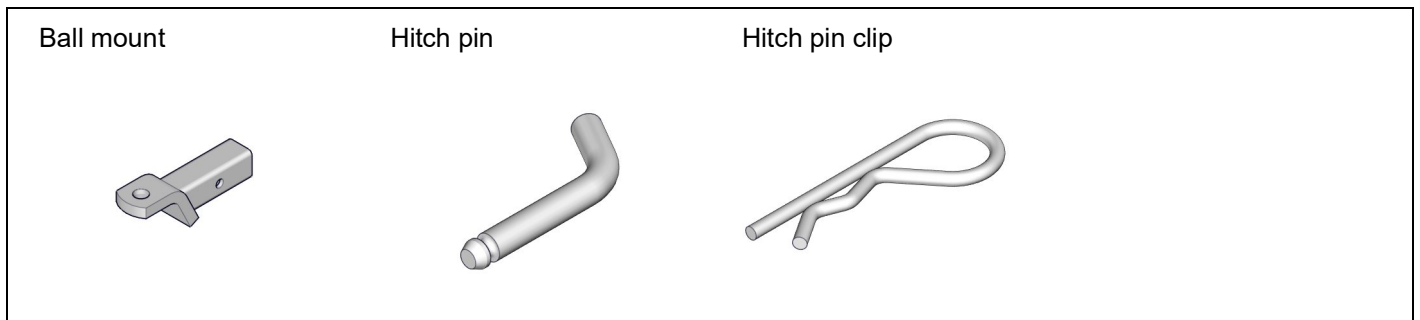
- Always use the parts and tools specified in the installation instructions.
- Do not install the accessory on a dirty surface or in direct sunlight.
- Make sure the ambient air temperature is 60°F (15°C) or above when installing accessories that use adhesive material.
- When pressing the accessory firmly with the palm of your hand, be careful not to damage it or the vehicle.
- When applying adhesive material, make sure it is lined up properly before attaching. Once the adhesive material touches the surface, do not try to remove it. If you do, you could damage the part.
- Do not wash the vehicle for 24 hours to allow the adhesive to cure.

PARTS LIST

Trailer Hitch Kit
(P/N 08L92-T90-100)
(P/N 08L92-T90-P00)



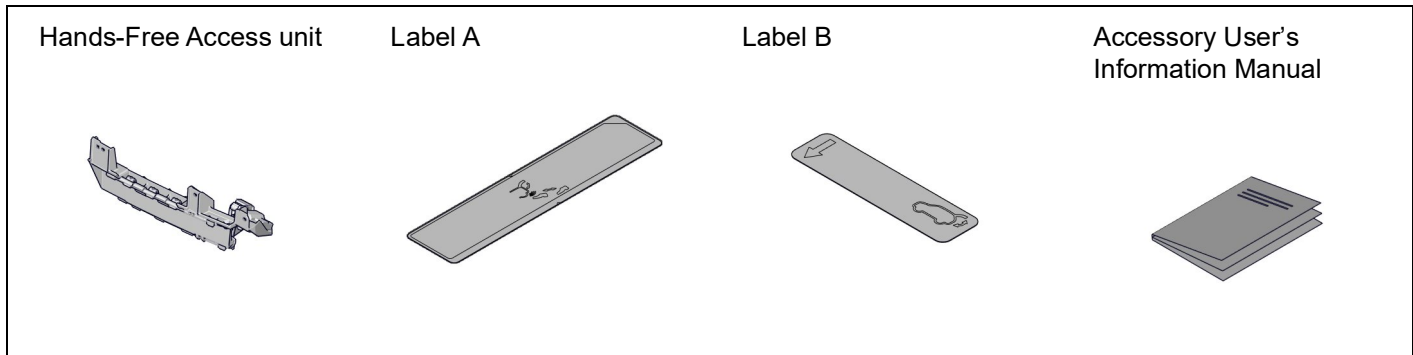
Ball Mount Kit
(P/N 08L92-T90-100A)
(P/N 08L92-T90-P00A)



Hitch Cover Panel Kit
(P/N 08L92-T90-100B)
(P/N 08L92-T90-100C)
(P/N 08L92-T90-P00B)
(P/N 08L92-T90-P00C)



Hands-Free Access Unit Kit
(P/N 08L91-T90-100A)
(P/N 08L91-T90-P00A)



REQUIRED TOOLS AND SUPPLIES

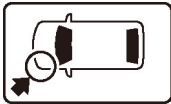
- Phillips screwdriver
- Torque wrench
- Shop towel
- Masking tape
- Stubby Phillips screwdriver
- 10 mm Open end wrench
- 10 mm and 21 mm Sockets
- Blanket
- Isopropyl alcohol
- Ratchet
- 5 mm Hex wrench
- Ruler
- Tape measure

The following tools are available through the Honda Tool and Equipment Program:

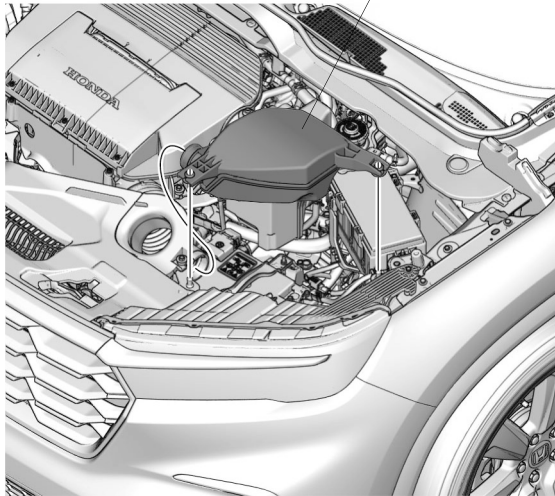
- Trim Tool Set (T/N SOJATP2014)
- Plastic Trim Tool (T/N SILTRIMTL10)
- Air Saw (T/N AT192A)

INSTALLATION

1. Remove the resonator.



RESONATOR

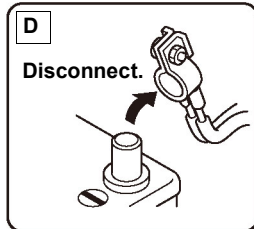
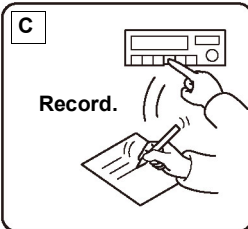
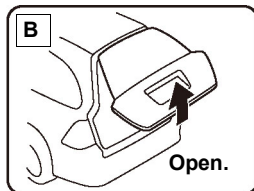
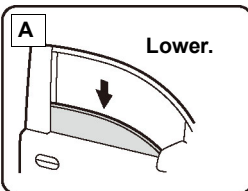


QM52005AG

2. Disconnect the negative cable from the battery.

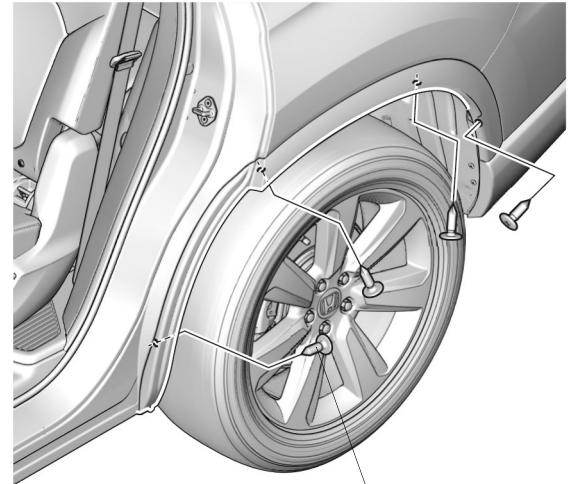
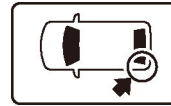
NOTE

With the driver's door open, turn the vehicle to the OFF (LOCK) mode, then wait at least 3 minutes before disconnecting the 12 volt negative battery cable.



QCD0504BM

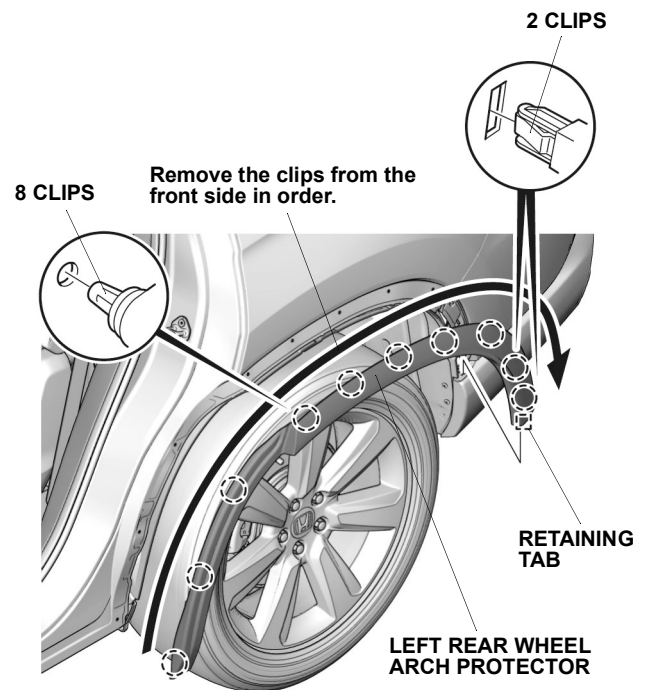
3. Open the left rear door.
4. Remove the self-tapping screws.



4 SELF-TAPPING SCREWS

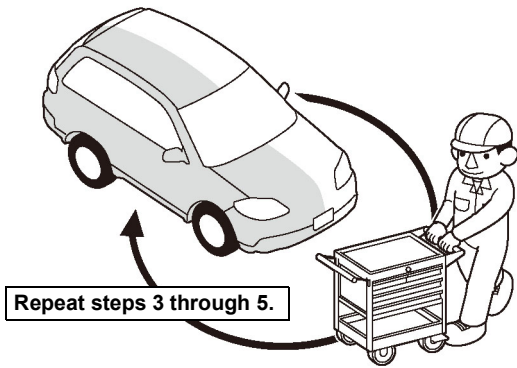
QM51002AG

5. Remove the left rear wheel arch protector.



QM51003AG

6. Repeat the same procedures on the other side.

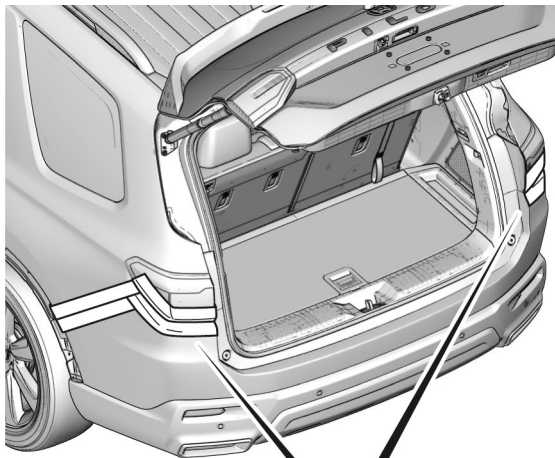
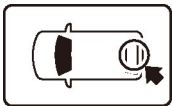


Q9D1014AM

7. Attach masking tape to protect the vehicle.

NOTE

Do not remove the masking tape until after the parts are installed.

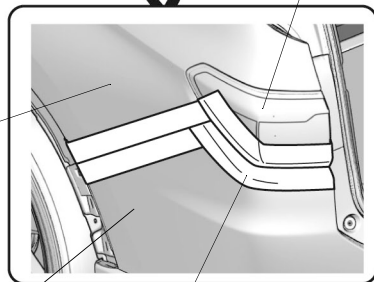


REAR FENDER

REAR BUMPER

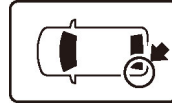
MASKING TAPE

TAILLIGHT



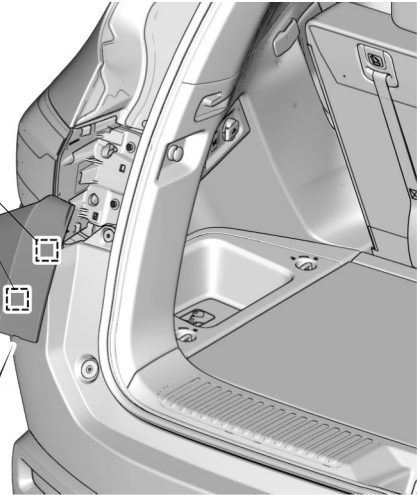
QM51004AG

8. Remove the left bezel.

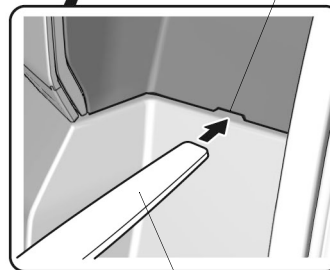


2 RETAINING TABS

LEFT BEZEL



SLOT

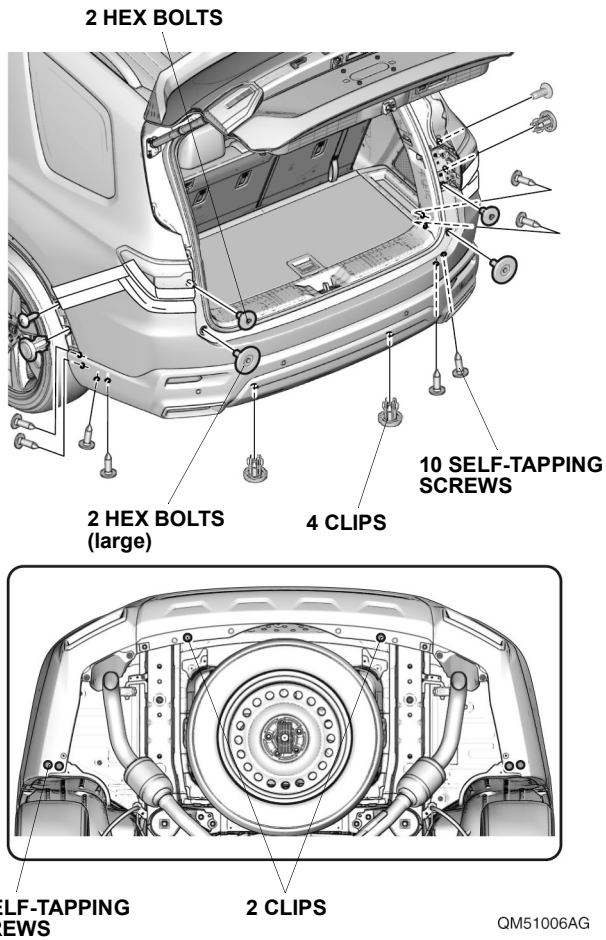


PLASTIC TRIM TOOL

QM51005AG

9. Repeat step 8 on the other side.

10. Remove the clips, hex bolts, and self-tapping screws.

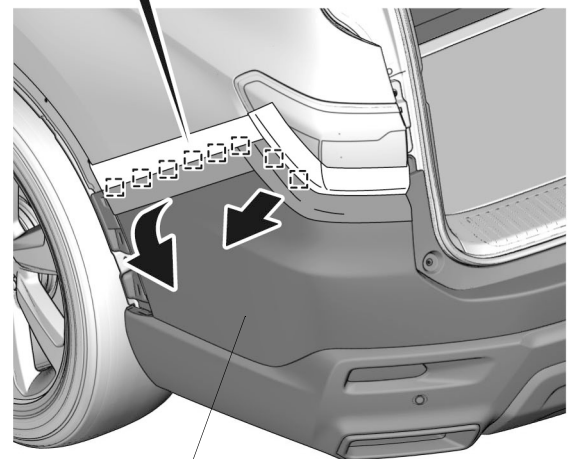
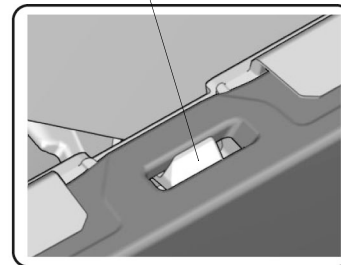


11. Release the retaining tabs.

NOTE
<ul style="list-style-type: none"> • Release the retaining tabs starting from outside working in. • Make sure to release the retaining tabs in the correct orientation.



8 RETAINING TABS

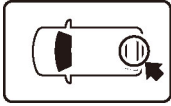


REAR BUMPER

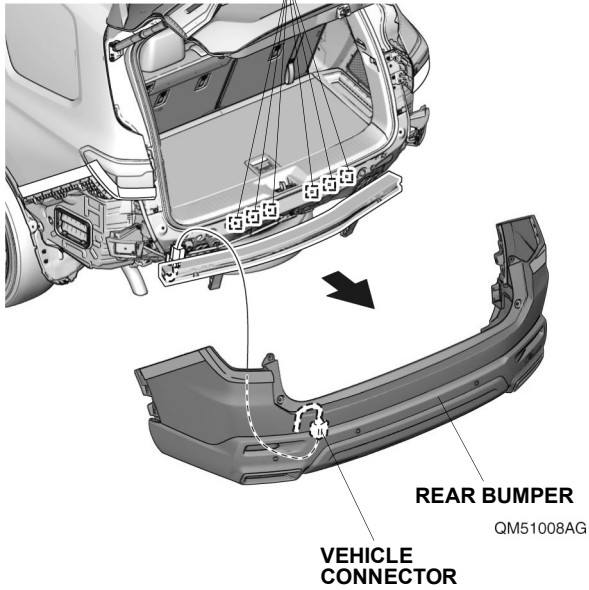
QM51007AG

12. Repeat step 11 on the other side.

13. Remove the rear bumper.



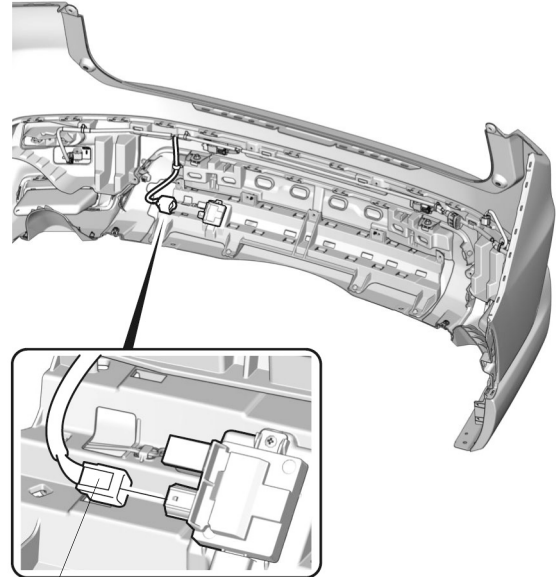
6 RETAINING
TABS



14. Choose one of these options.

- With standard Hands-Free Access unit
Go to step 15
- Without standard Hands-Free Access unit
Go to step 17

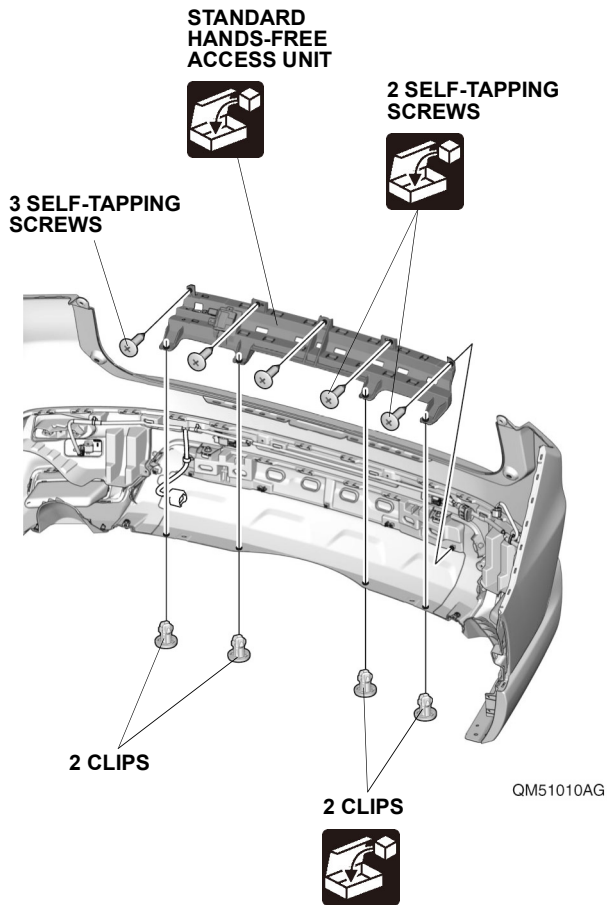
15. Unplug the vehicle connector.



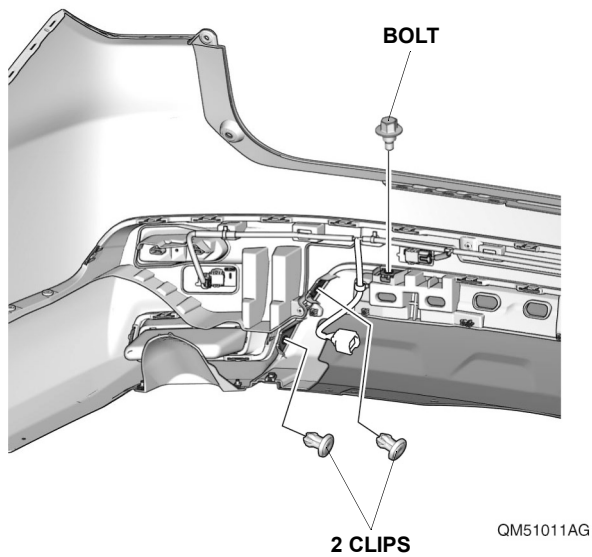
VEHICLE
CONNECTOR

QM51009AG

16. Remove the standard Hands-Free Access unit.

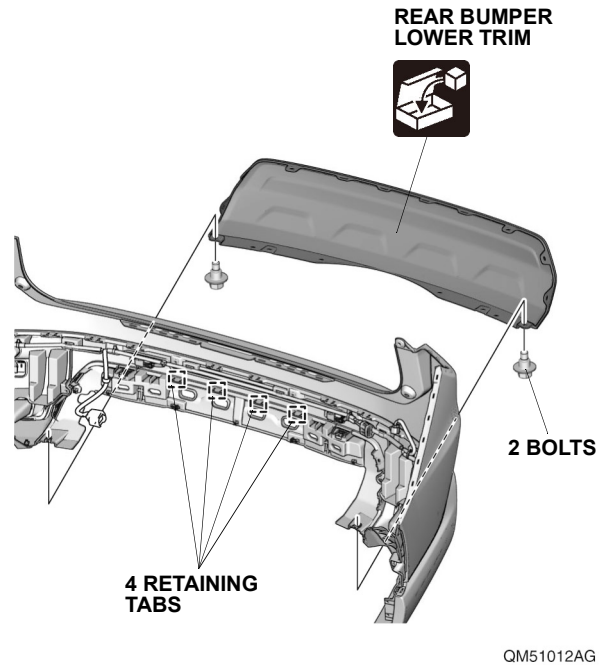


17. Remove the bolt and clips.

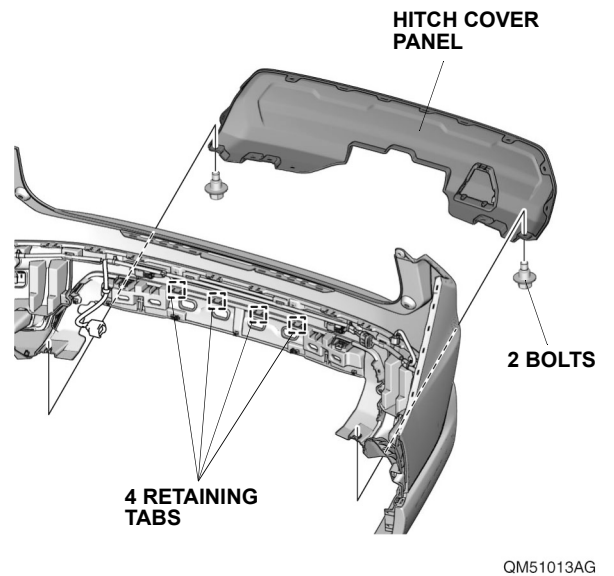


18. Repeat step 17 on the other side.

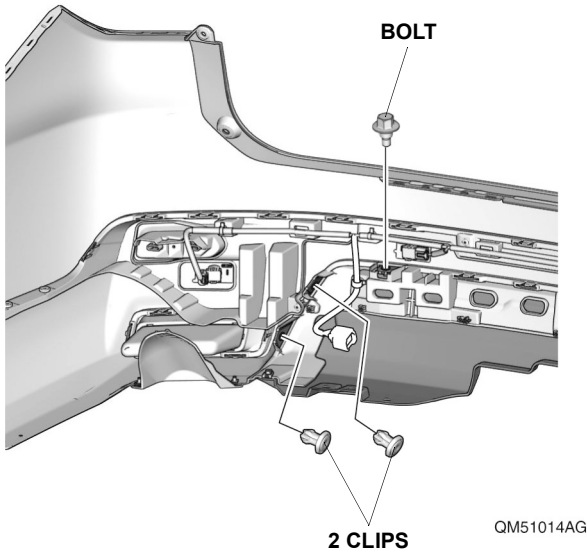
19. Remove the rear bumper lower trim.



20. Install the hitch cover panel.



21. Secure the hitch cover panel.

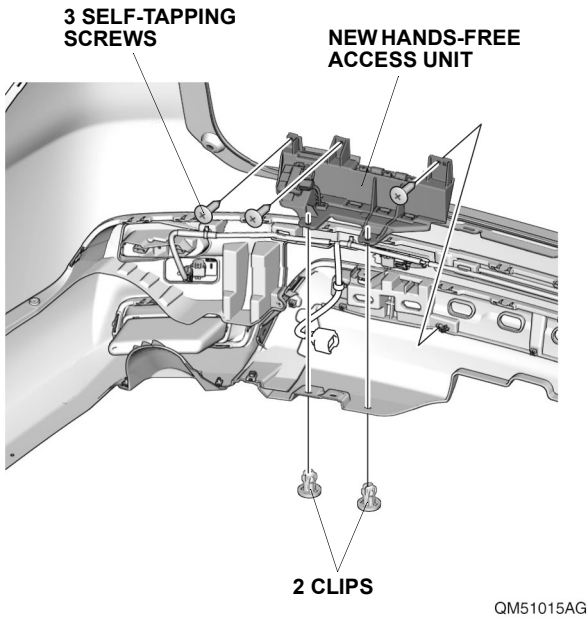


22. Repeat step 21 on the other side.

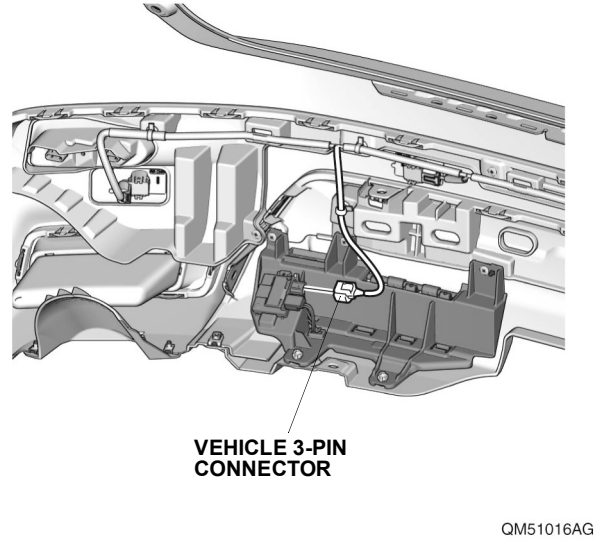
23. Choose one of these options.

- | | |
|---|---------------|
| • With standard Hands-Free Access unit | Go to step 24 |
| • Without standard Hands-Free Access unit | Go to step 26 |

24. Install the new Hands-Free Access unit.

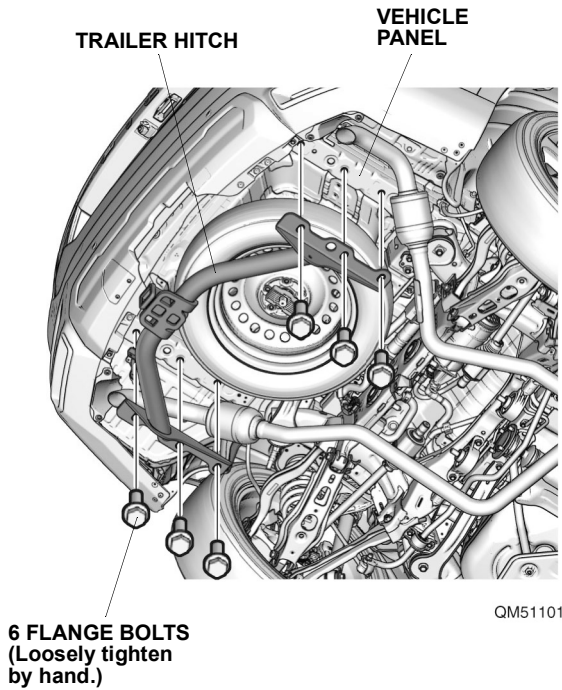
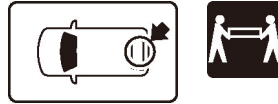


25. Plug-in the vehicle connector.



26. Install the rear bumper.

27. Loosely install the trailer hitch.



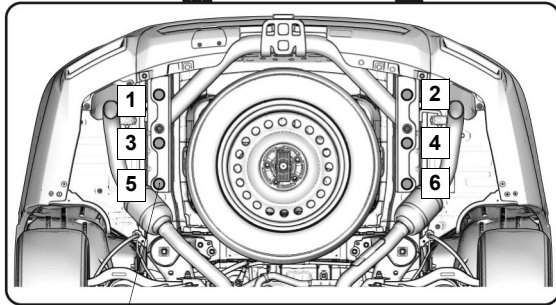
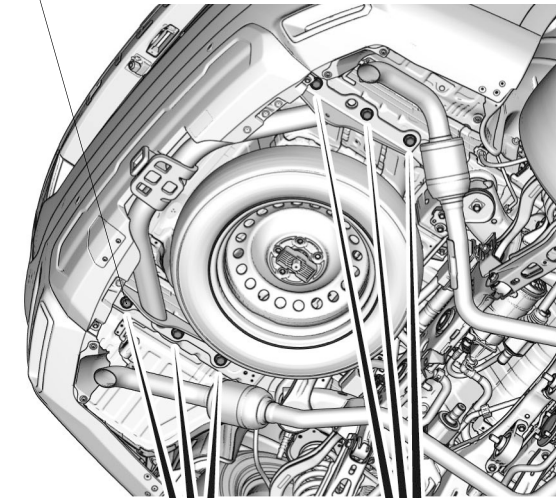
28. Tighten the flange bolts.

NOTE

- Tighten in the order shown.
- Tighten the six flange bolts to an initial torque of 48 lb-ft (65 N·m) as shown. Then, tighten the flange bolts to a final torque of 96 lb-ft (130 N·m).
- After tightening all the flange bolts, recheck their torque.

6 FLANGE BOLTS 6 FLANGE BOLTS

P lb-ft 48 lb-ft (65 N·m) → **P** lb-ft 96 lb-ft (130 N·m)



6 FLANGE BOLTS

QM51102AG

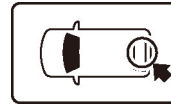
29. Choose one of these options.

- With Hands-Free Access unit Go to step 30
- Without Hands-Free Access unit Go to step 32

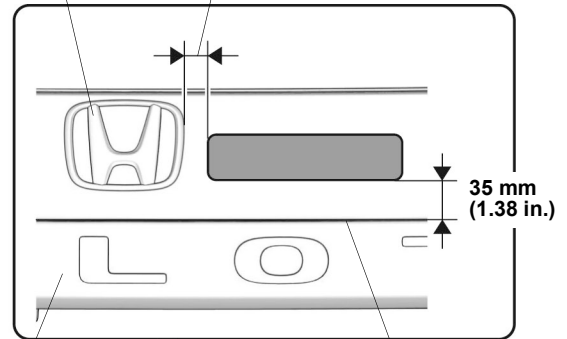
30. Attach the label A.

NOTE

Make sure the customer is aware the label A can be removed after reading.

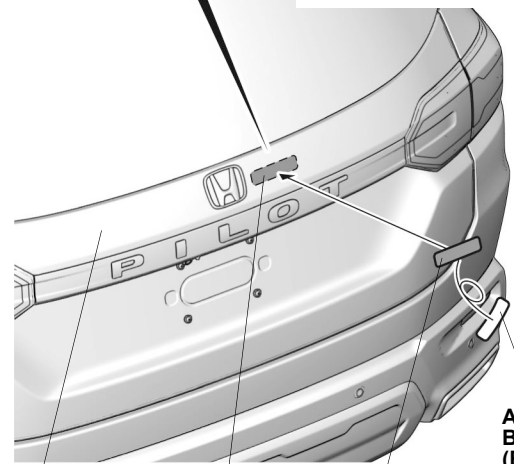


VEHICLE EMBLEM 20 mm (0.79 in.)



REAR LICENSE TRIM

END OF THE CURVED SURFACE OF THE REAR LICENSE TRIM



TAILGATE

LABEL A

ADHESIVE BACKING (Remove.)

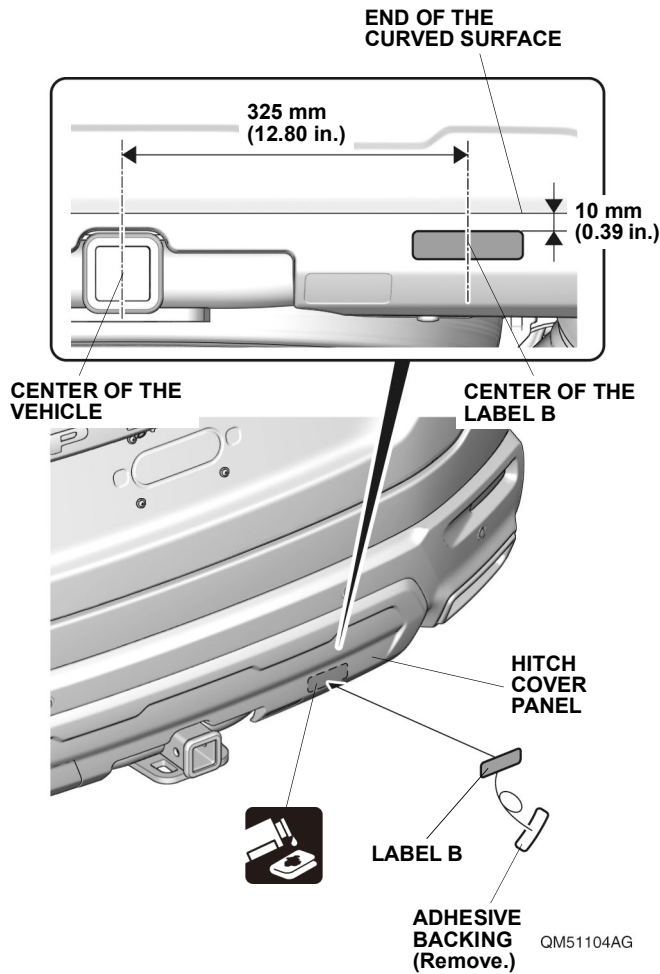
QM51103AG



31. Attach the label B.

NOTE

Make sure the customer is aware the label B can be removed after reading.



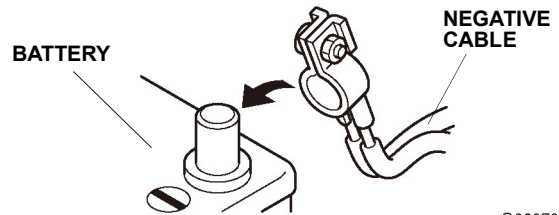
32. Check that all parts are installed and properly routed.

NOTE

- Check that all harnesses are not pulled and not pinched.
- Make sure all clamps and wire ties are securely installed.

33. Install all removed parts except for the resonator.

34. Connect the negative cable to the battery.



35. Install the resonator.

36. Perform operation check by referring to the Accessory User's Information Manual (with Hands-Free Access unit).

37. Make sure all accessories and systems operate properly.

38. If necessary, restore the systems back to normal operation as described in the service information.

39. Press and hold the audio unit power button for 2 seconds to restore the audio and navi (if equipped) system functions.

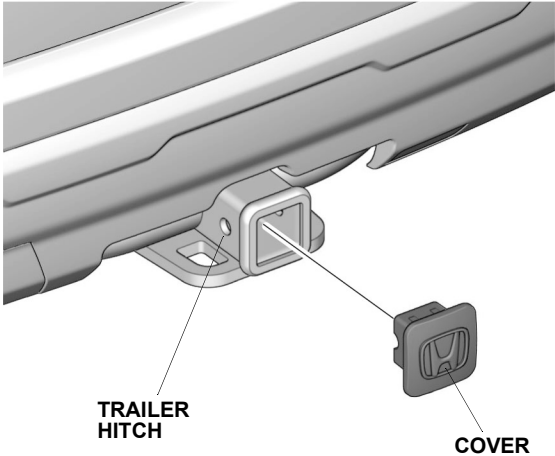
40. Give the cover, ball mount, hitch pin, hitch pin clip, and Accessory User's Information Manual (with Hands-Free Access unit) to the customer.

Please give your customer a copy of this page.

TRAILER HITCH

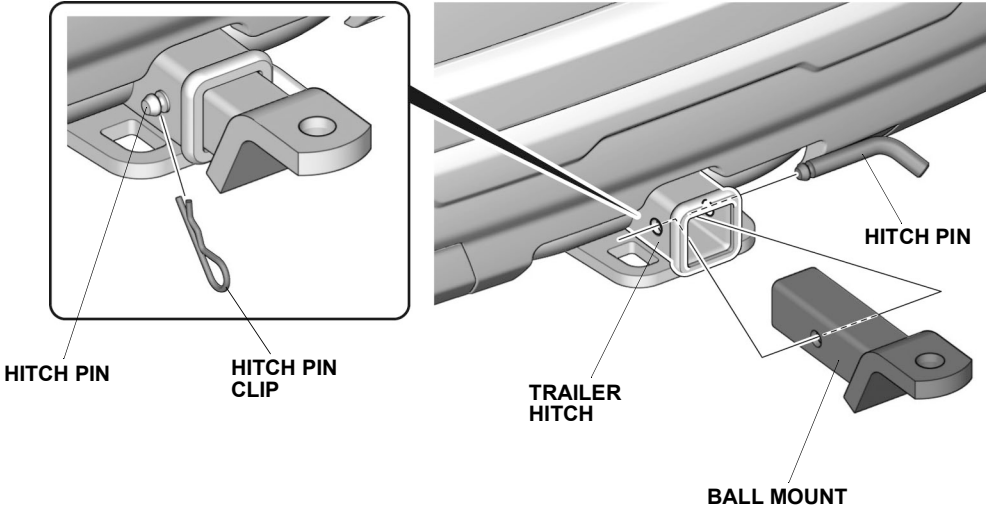
Whenever you remove the hitch pin clip, the hitch pin, and the ball mount, store them securely in the cargo area. Install the cover into the opening at the end of the trailer hitch.

When you reinstall the ball mount, store the cover in the cargo area.



QM51105AG

Install the ball mount into the trailer hitch using a hitch pin clip and hitch pin.



QM51106BG

After the first 600 miles (1,000 km) of towing, have your Honda Dealer check the tightness of the trailer hitch bolts.

