

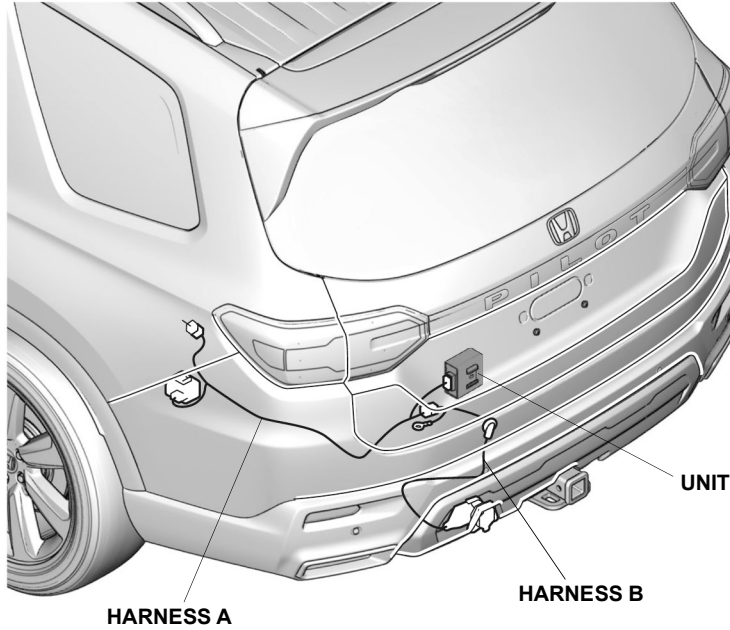
HONDA
INSTALLATION
INSTRUCTIONS

Accessory
TRAILER HITCH HARNESS

Application
2023 PILOT
MODEL SERIES

Publications No.
VERSION 1
 Issue Date
NOV 2022

GENERAL VIEW



QM61509AG

FOR YOUR SAFETY (Read carefully.)

Warning Symbols

Safety: Your safety, and the safety of others, is important. To help you make informed decisions about service procedures, we have provided safety messages where appropriate. Of course, it is not practical or possible to warn you about all the hazards associated with servicing a vehicle - you must use your own good judgment.

You will find important safety messages preceded by one of the following symbols:

*All symbols are not used in all installation instructions.

⚠ DANGER

You will be killed or seriously hurt if you do not follow the instructions.

⚠ WARNING

You can be killed or seriously hurt if you do not follow the instructions.

⚠ CAUTION

You can be hurt if you do not follow the instructions.

NOTICE

Gives advice to prevent damage to the product, vehicle, the environment or other property.

NOTE

Gives helpful information or instructions to be followed when installing this product.

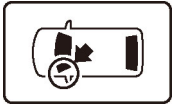


Indicates a prohibited action.

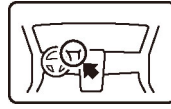
Procedure and Location Icons

These icons indicate the work location and the worker's point of view.

*All icons are not used in all installation instructions.



The location on the vehicle.



The location in the vehicle.
(Instrument panel.)



Wear eye protection.



Wear heavy gloves.



Use an assistant.



Place the part on a blanket.



Work perpendicular.



Remove any burrs.



Use touch-up paint and allow to dry.



Tighten to the specified torque.



Apply firm pressure while rolling, especially at the ends, to set the adhesive.



Press firmly.

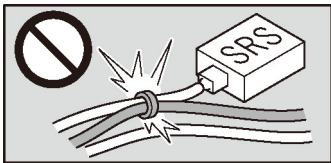


Clean with isopropyl alcohol.

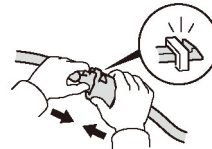


Return the original part to the customer.
(Do not reuse.)

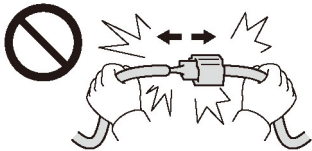
Wire Harness Routing Precaution



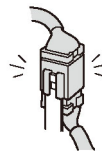
Do not secure the accessory harness to the SRS harness.
(except for instruction cases.)



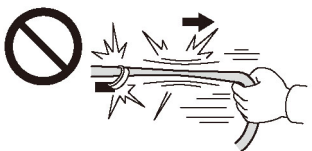
Push the connectors and terminals together until they lock.



Do not pull the harness to unplug the connectors.



Install removed connectors in their original location.



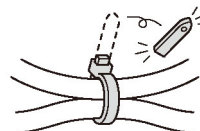
Do not pull the harness.



Secure the accessory harness as shown.



Do not pinch the harness.



Cut off the excess wire tie.

Safety: General

- Observe all safety notes and precautions described in the service information, in addition to those described in this Installation Instruction. Be extremely careful for your safety and safety of others.
- Be careful not to damage the vehicle or the parts.
- Be extremely careful when handling retaining tabs and clips.
- Note the locations of the parts before removing them so they can be properly installed in their original positions.
- The illustrations may differ slightly from the actual accessory.

Safety: Electric Parts

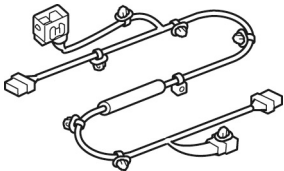
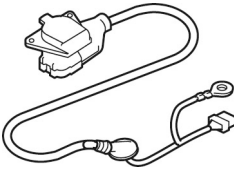
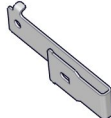
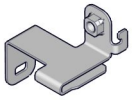
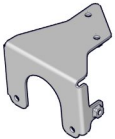
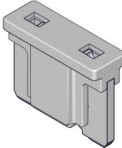

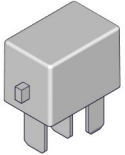
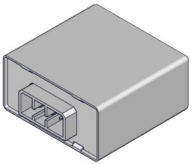

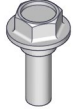

Always disconnect the negative cable from the battery before beginning work.

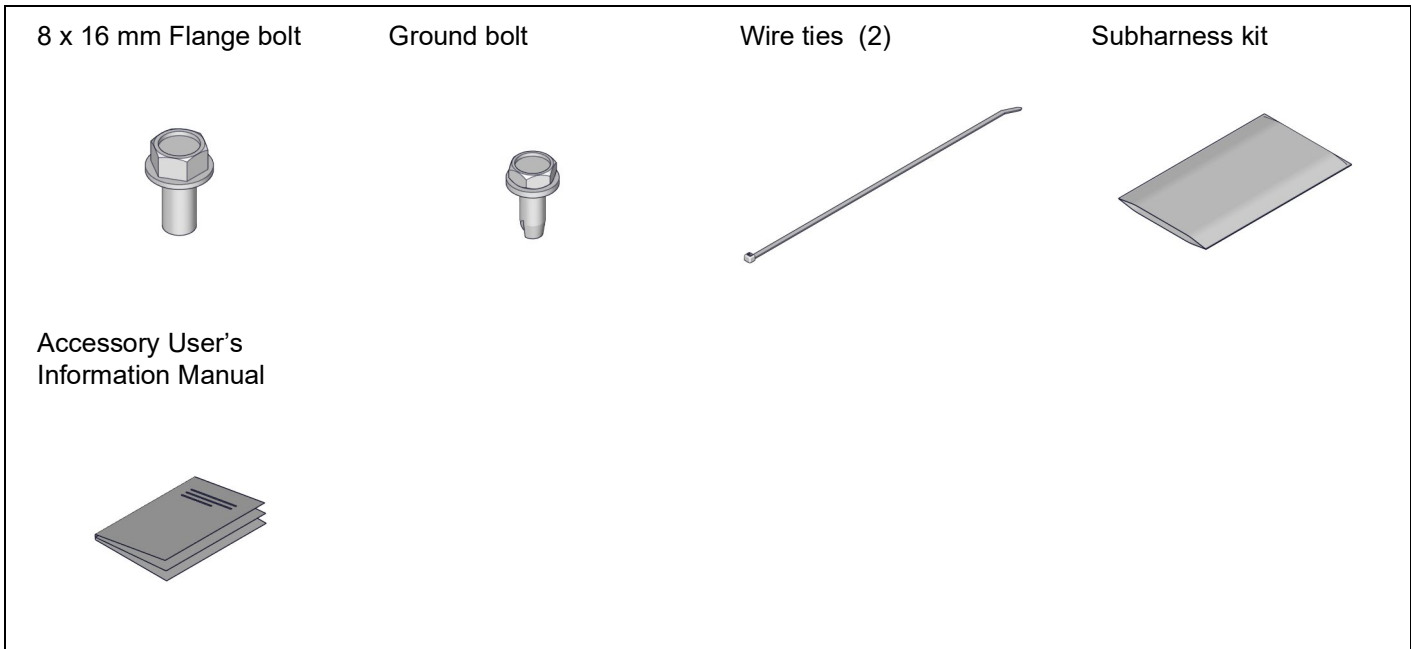
Safety: Accessory

Always use the parts and tools specified in the installation instructions.

PARTS LIST

Trailer Hitch Harness Kit
(P/N 08L91-T90-100)
(P/N 08L91-T90-P00)

Harness A 	Harness B 	Bracket A 	Bracket B 
Bracket C 	20A Fuse 	30A Block fuse 	Relays (2) 
Unit 	Nuts (2) 	Shoulder-bolt 	6 x 16 mm Flange bolts (5) 



REQUIRED TOOLS AND SUPPLIES

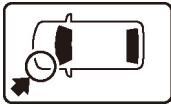
- Phillips screwdriver
- Stubby Phillips screwdriver
- Masking tape
- 10 mm Open end wrench
- 10 mm and 12 mm Sockets
- Blanket
- Ratchet
- 5 mm Hex wrench

The following tools are available through the Honda Tool and Equipment Program:

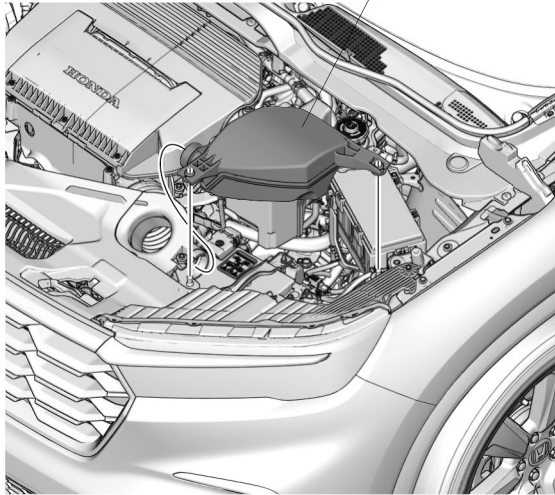
- Trim Tool Set (T/N SOJATP2014)
- Plastic Trim Tool (T/N SILTRIMTL10)

INSTALLATION

1. Remove the resonator.



RESONATOR

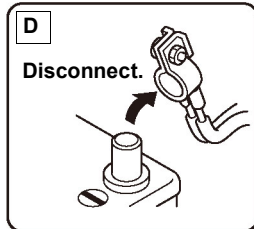
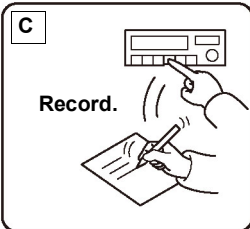
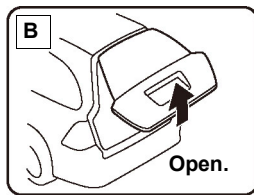
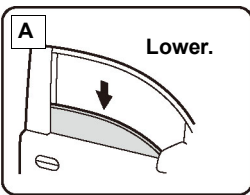


QM52005AG

2. Disconnect the negative cable from the battery.

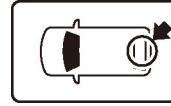
NOTE

With the driver's door open, turn the vehicle to the OFF (LOCK) mode, then wait at least 3 minutes before disconnecting the 12 volt negative battery cable.

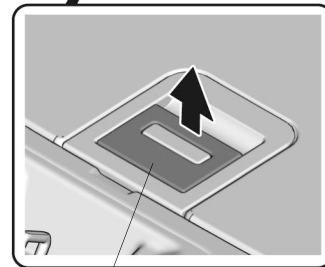
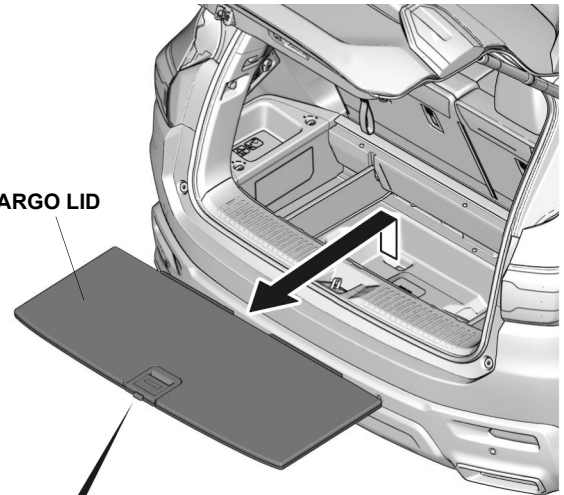


QCD0504BM

3. Remove the cargo lid.



CARGO LID



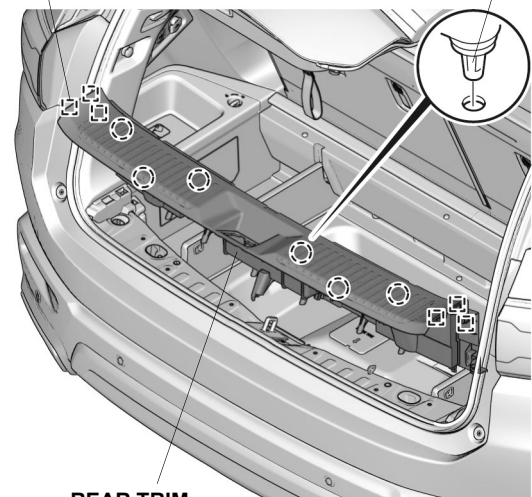
LEVER

QM61501AG

4. Remove the rear trim panel.

6 RETAINING TABS

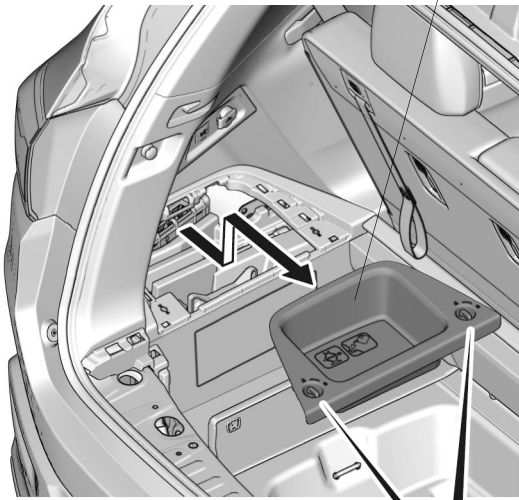
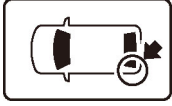
6 CLIPS



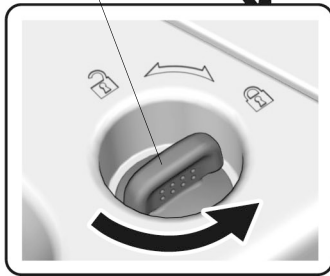
REAR TRIM PANEL

QM61502AG

5. Remove the bin.

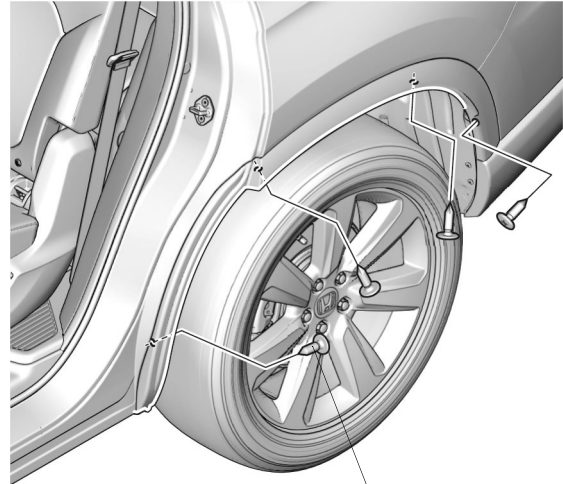
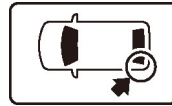


2 KNOBS



QM61503AG

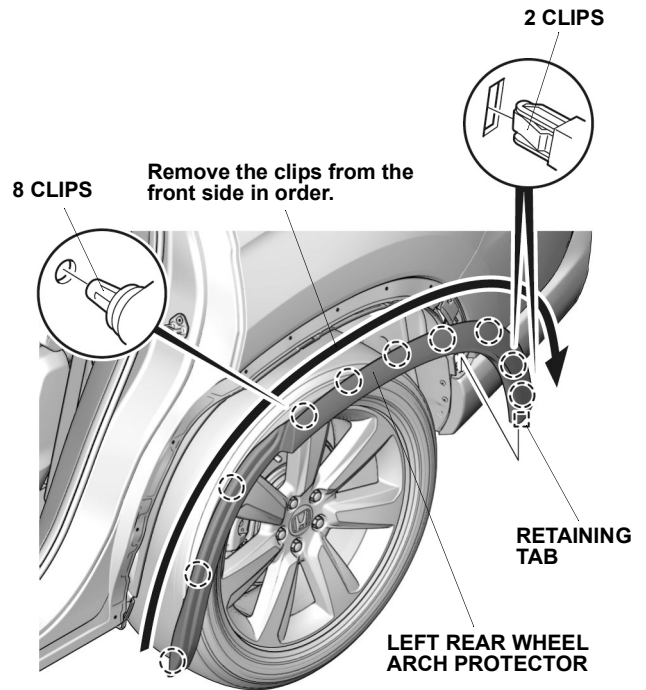
6. Open the left rear door.
7. Remove the self-tapping screws.



4 SELF-TAPPING SCREWS

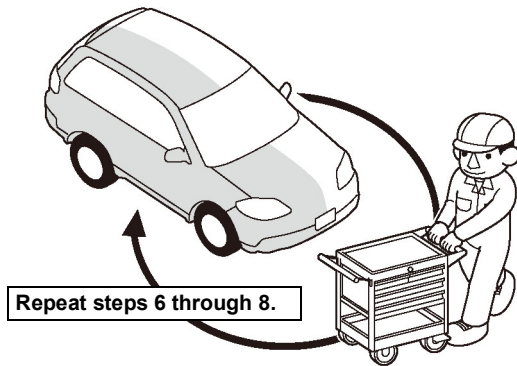
QM51002AG

8. Remove the left rear wheel arch protector.



QM51003AG

9. Repeat the same procedures on the other side.

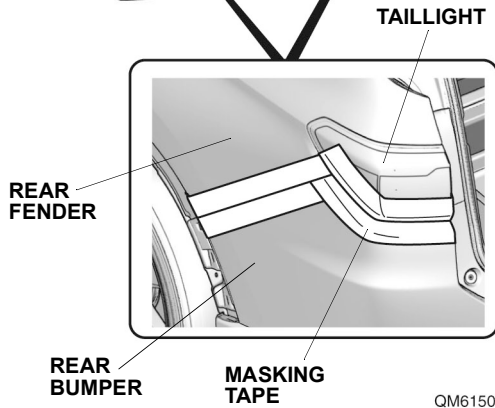
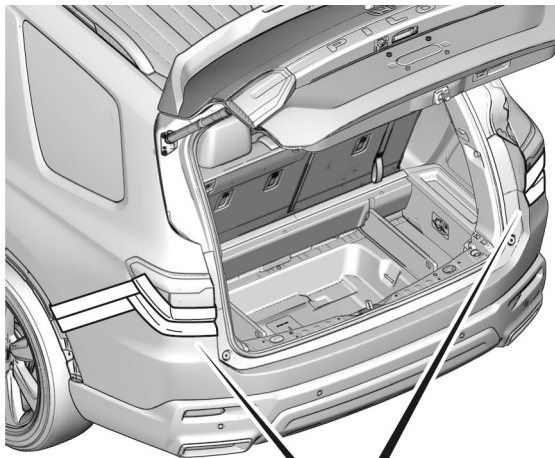
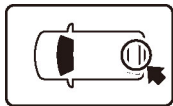


Q9D1014AM

10. Attach masking tape to protect the vehicle.

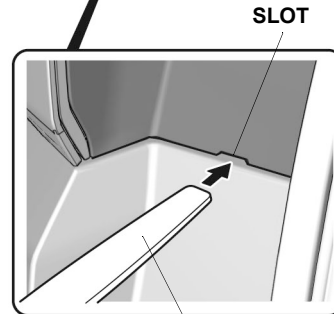
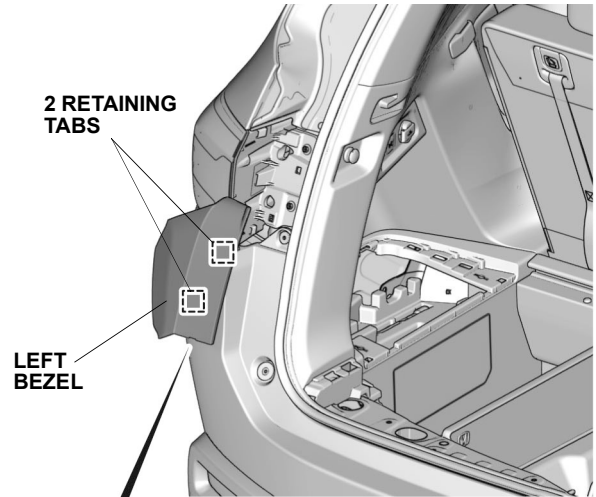
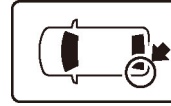
NOTE

Do not remove the masking tape until after the parts are installed.



QM61504AG

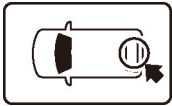
11. Remove the left bezel.



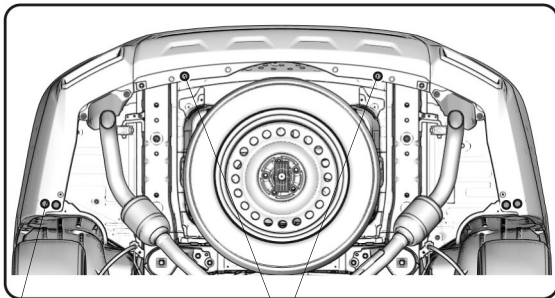
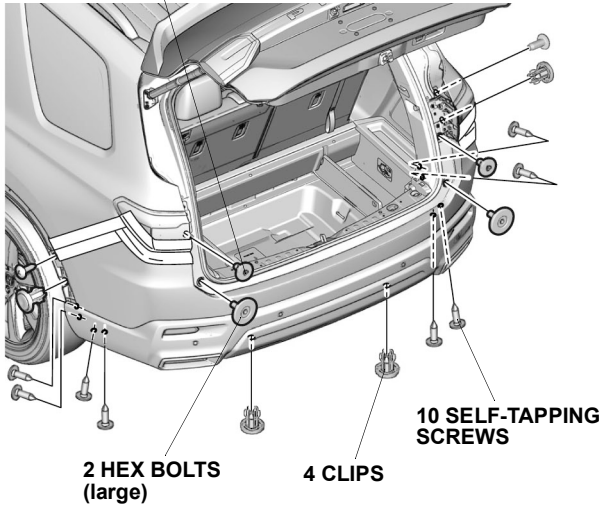
QM61505AG

12. Repeat step 11 on the other side.

13. Remove the clips, hex bolts, and self-tapping screws.



2 HEX BOLTS



4 SELF-TAPPING SCREWS

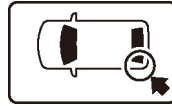
2 CLIPS

QM61506AG

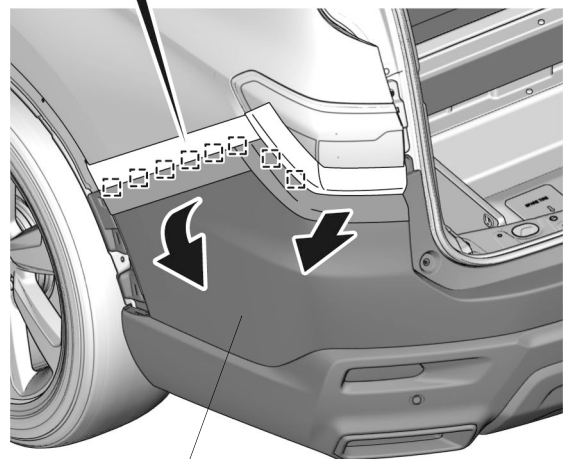
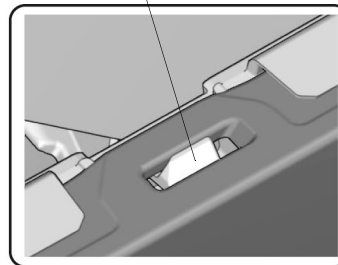
14. Release the retaining tabs.

NOTE

- Release the retaining tabs starting from outside working in.
- Make sure to release the retaining tabs in the correct orientation.



8 RETAINING TABS

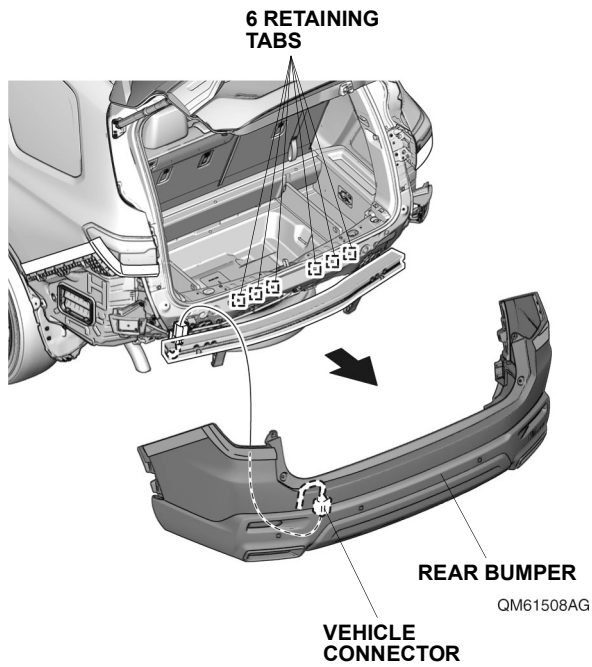


REAR BUMPER

QM61507AG

15. Repeat step 14 on the other side.

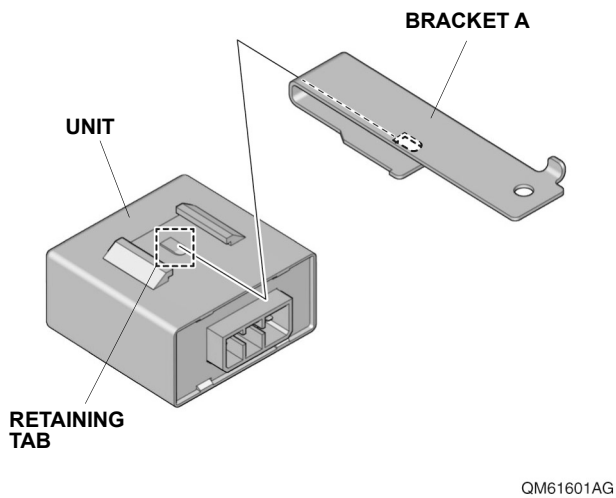
16. Remove the rear bumper.



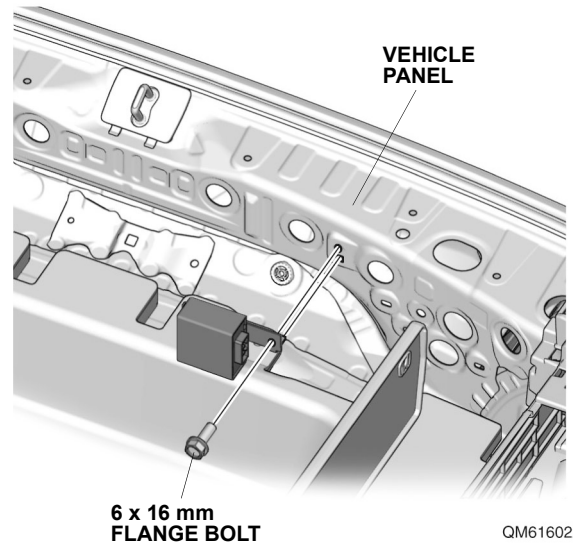
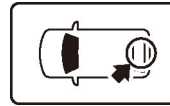
17. Install the bracket A.

NOTE

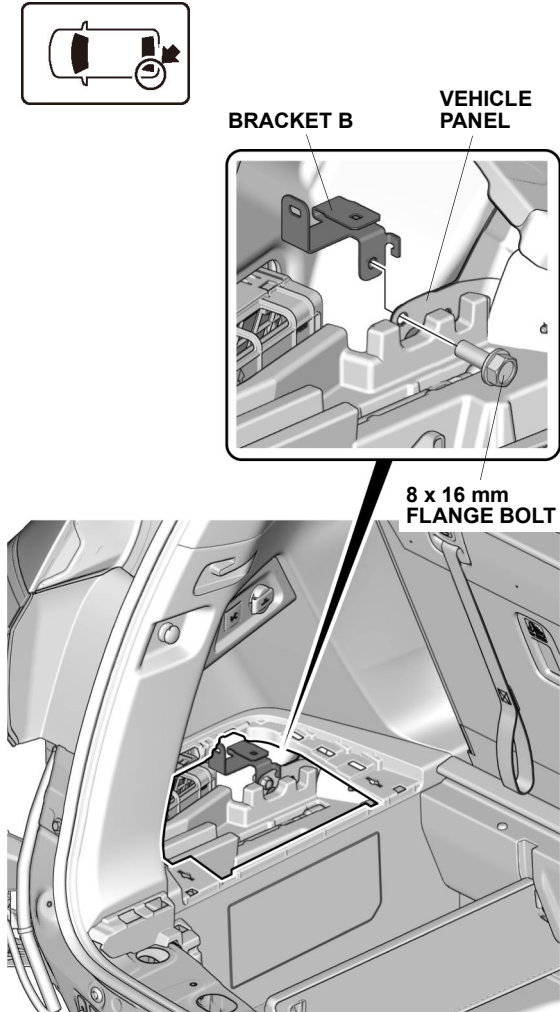
Make sure to install the bracket in the correct orientation.



18. Install the unit.

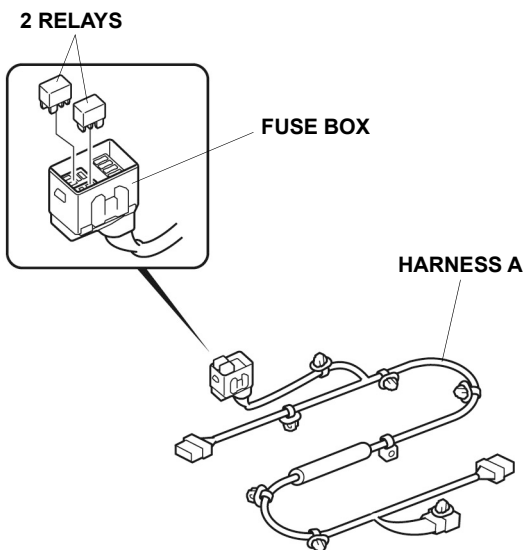


19. Install the bracket B.



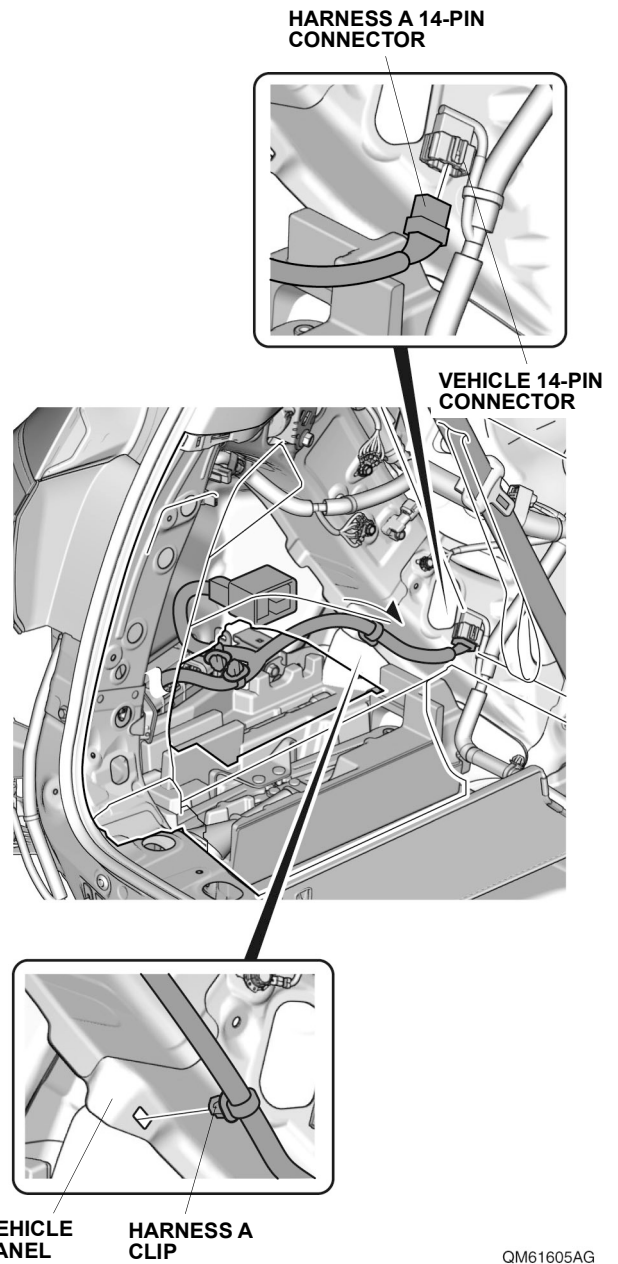
QM61603AG

20. Install the relays.



QM61604AG

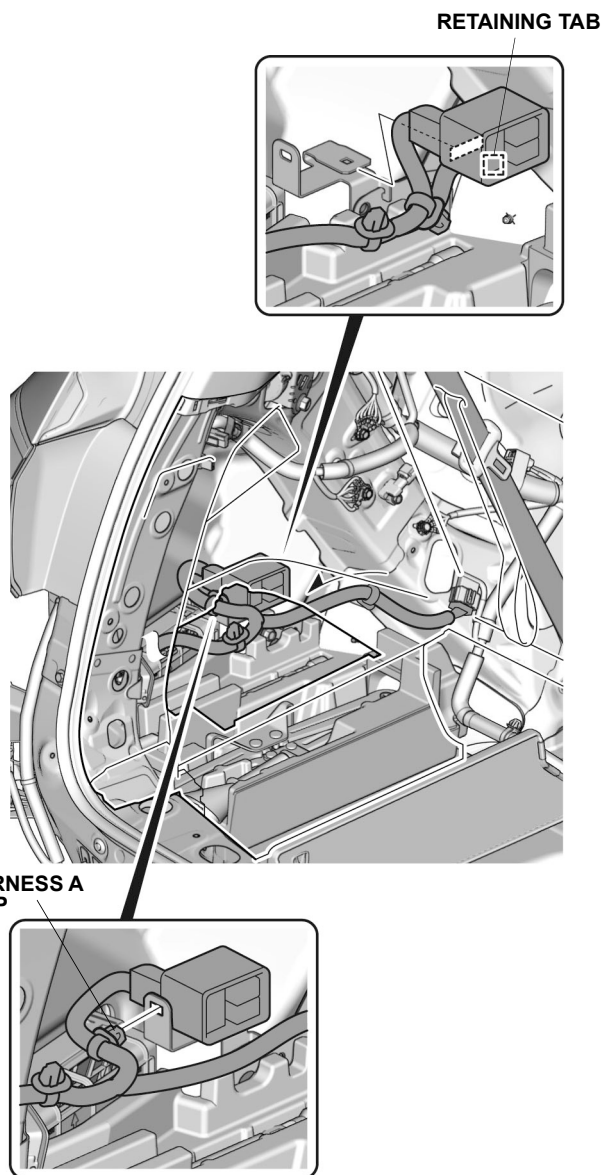
21. Plug-in the harness A connector.



QM61605AG

22. Secure the harness A.

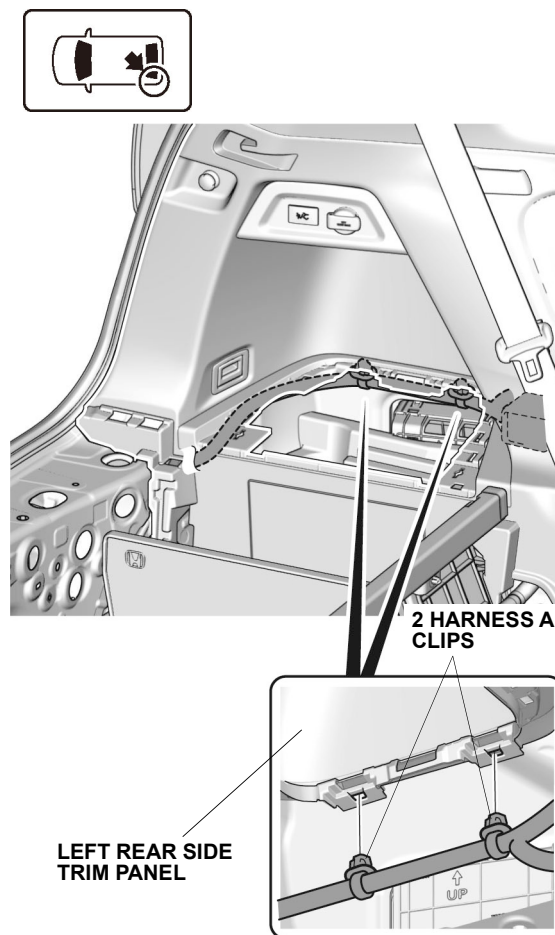
23. Secure the fuse box.



QM61606AG

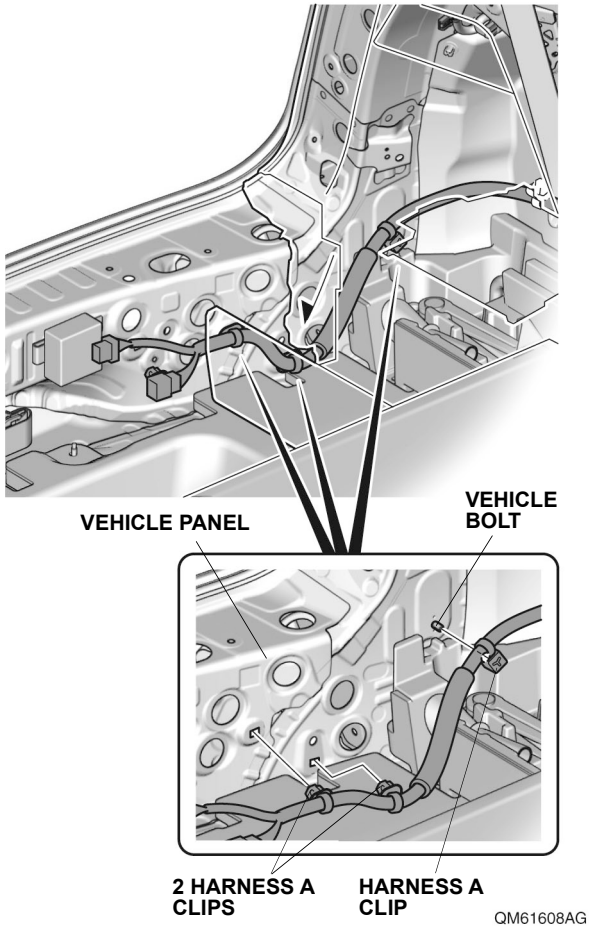
24. Secure the harness A.

25. Secure the harness A.

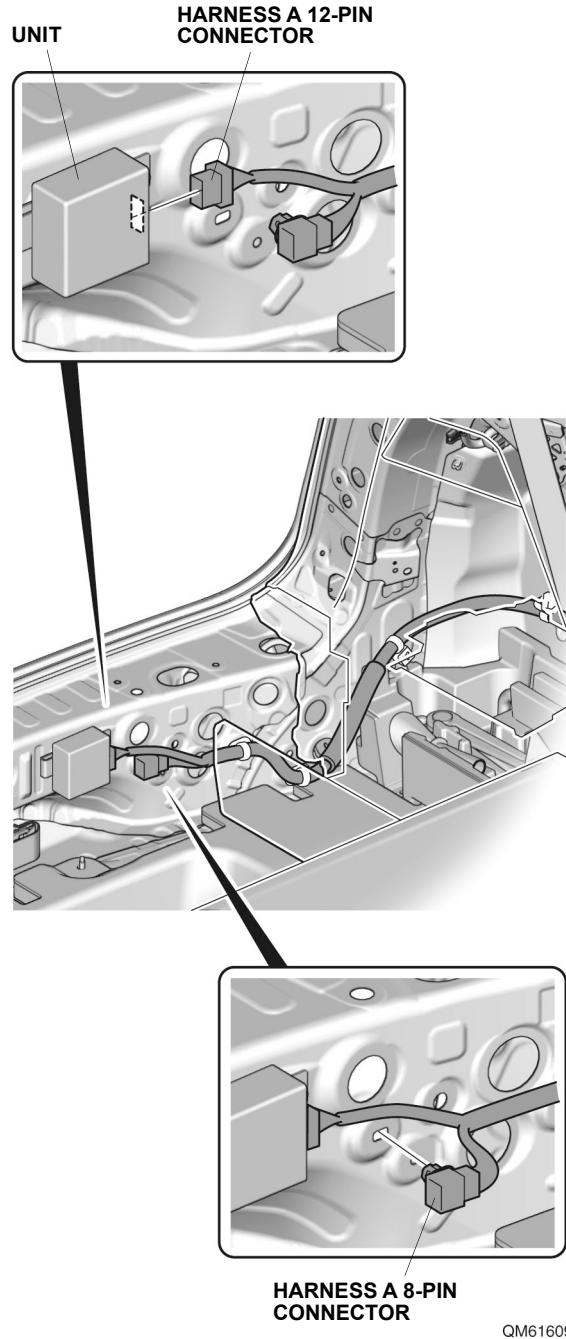


QM61607AG

26. Secure the harness A.



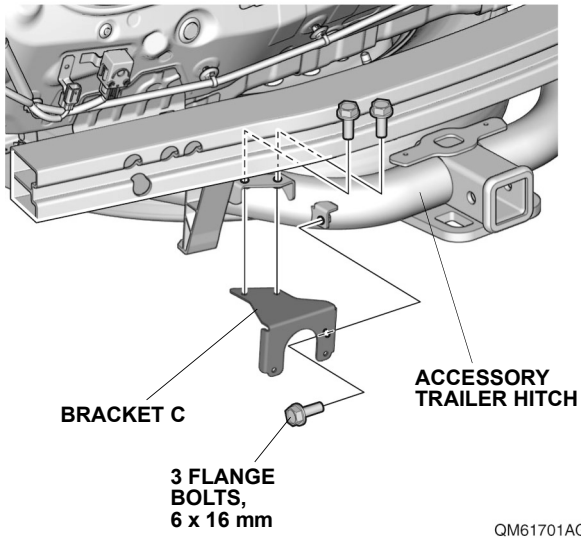
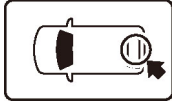
27. Plug-in the harness A connector.



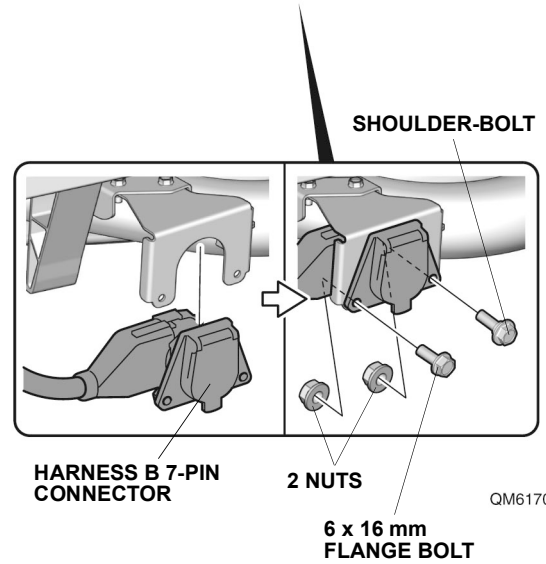
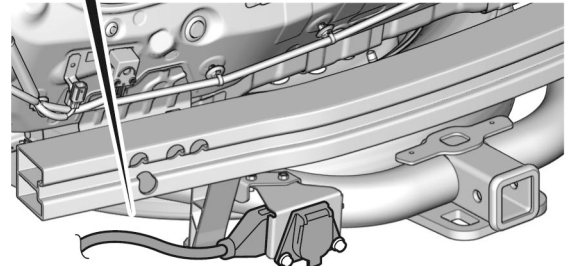
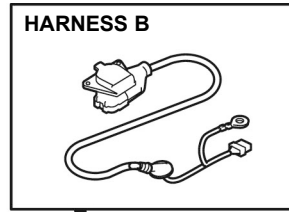
28. Secure the harness A connector.

29. Refer to the installation instruction of the trailer hitch, and install the trailer hitch.

30. Install the bracket C.



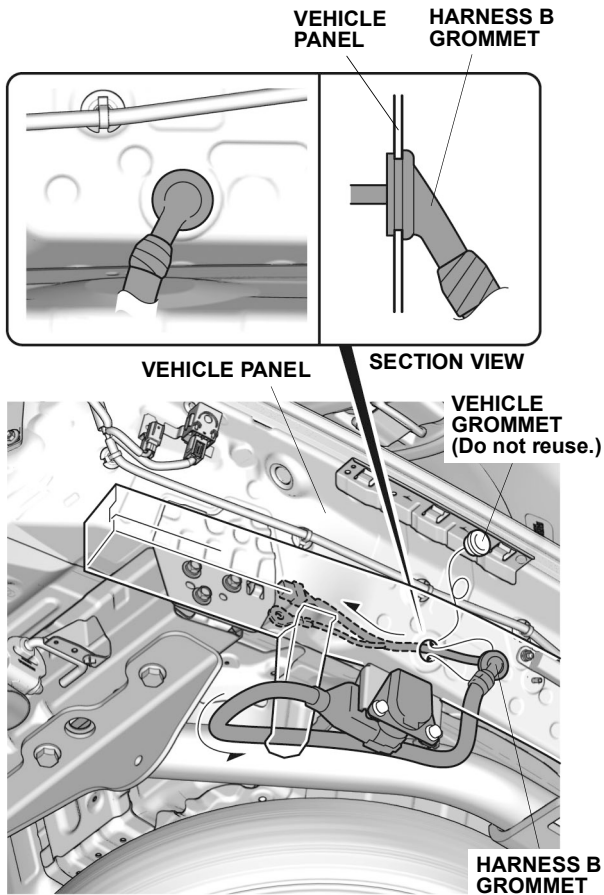
31. Secure the harness B connector.



32. Install the harness B grommet.

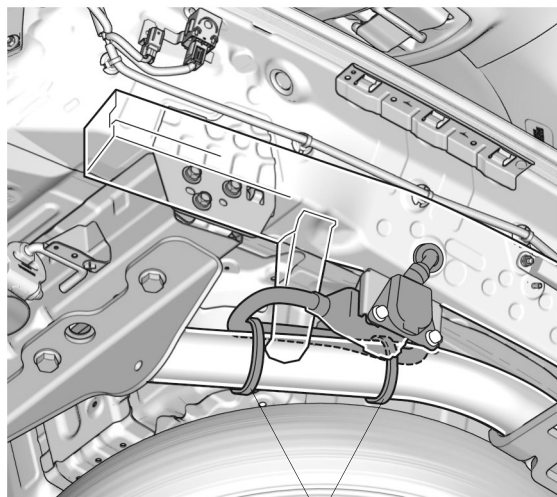
NOTE

- Install the harness by holding the grommet.
- Make sure the grommet is seated properly.



QM61703AG

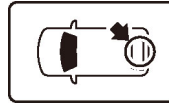
33. Secure the harness B.



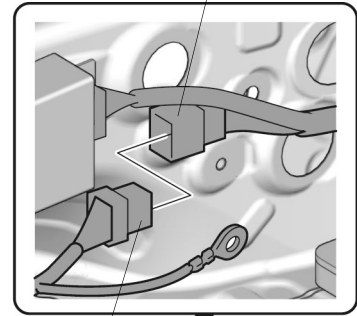
2 WIRE TIES

QM61704AG

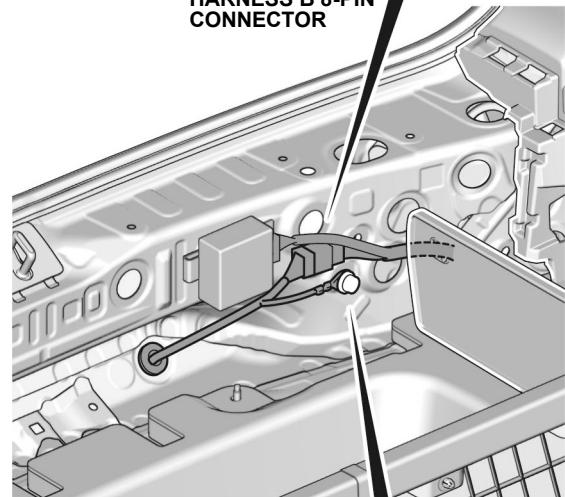
34. Plug-in the harness B connector.



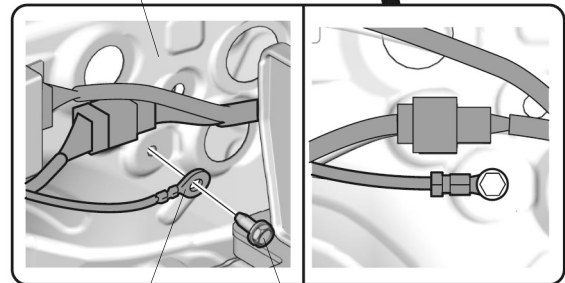
HARNESS A 8-PIN CONNECTOR



HARNESS B 8-PIN CONNECTOR



VEHICLE PANEL



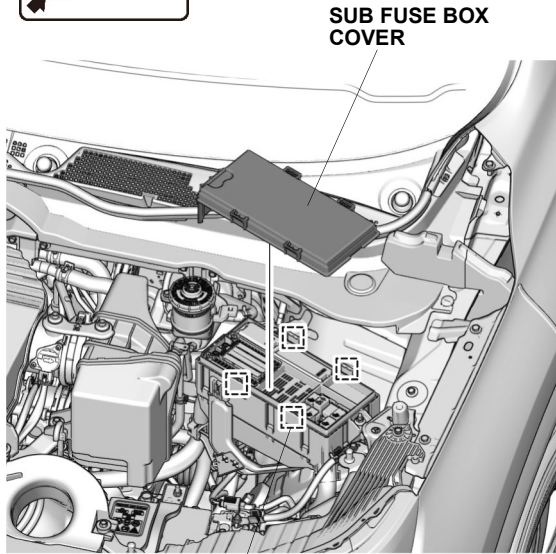
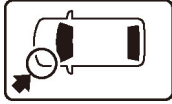
HARNESS B GROUND TERMINAL

GROUND BOLT

QM61705AG

35. Secure the harness B ground terminal.

36. Remove the sub fuse box cover.



SUB FUSE BOX COVER

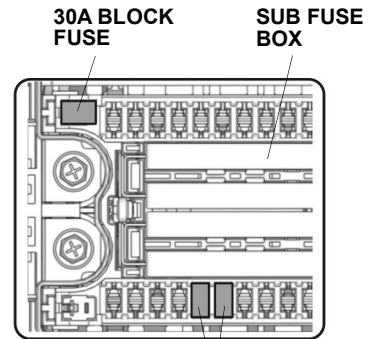
4 RETAINING TABS

QM61708AG

37. Install the fuses and block fuse.

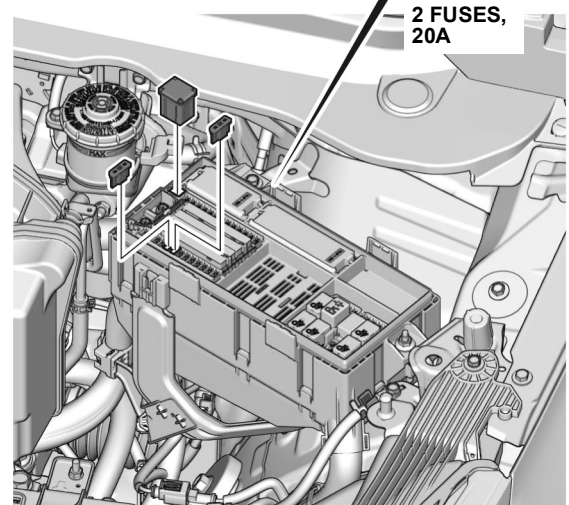
NOTE

- One 20A fuse is included in the subharness kit.



30A BLOCK FUSE

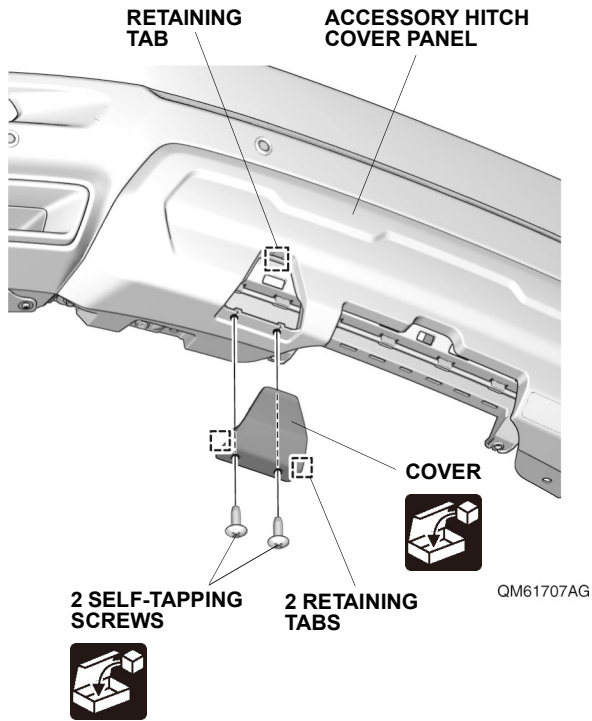
SUB FUSE BOX



2 FUSES, 20A

QM61706AG

38. Remove the cover.



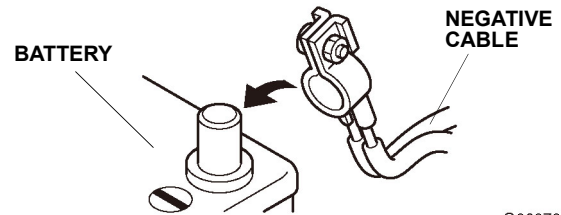
39. Check that all parts are installed and properly routed.

NOTE

- Check that all harnesses are not pulled and not pinched.
- Make sure all clamps and wire ties are securely installed.

40. Install all removed parts except for the resonator.

41. Connect the negative cable to the battery.



Q060702BM

42. Install the resonator.

43. Perform operation check by referring to the Accessory User's Information Manual.

44. Make sure all accessories and systems operate properly.

45. If necessary, restore the systems back to normal operation as described in the service information.

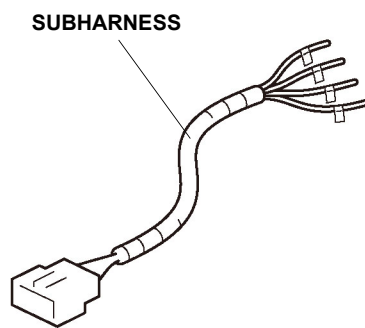
46. Press and hold the audio unit power button for 2 seconds to restore the audio and navi (if equipped) system functions.

47. Give the subharness kit and Accessory User's Information Manual to the customer.

Please give your customer a copy of this page.

TRAILER HITCH HARNESS

This subharness is designed for use with the installation of an electric brake controller. Refer to the vehicle's Owner's Manual for detailed information about handling this subharness.



QBN0730AH

