



# INSTALLATION INSTRUCTIONS

Accessory	Application	Publications No.
FRONT GRILLE P/N 08F21-T6Z-100	2018 RIDGELINE	VERSION 1
		Issue Date JUL 2017

## PARTS LIST

Front grille



Front upper grille



H Emblem cover



## TOOLS AND SUPPLIES REQUIRED

Phillips screwdriver

Flat-tip screwdriver

Ratchet

10 mm Socket

10 mm Open end wrench

Masking tape

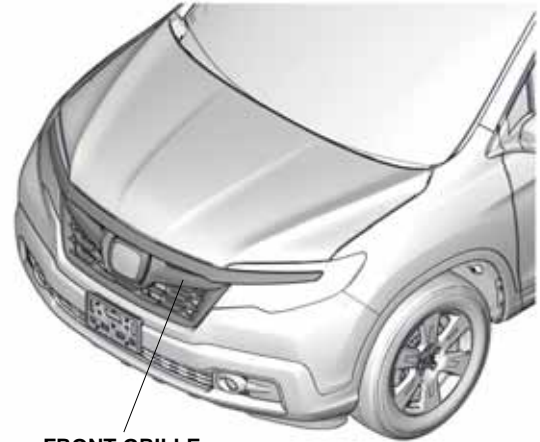
Blanket

Shop towel

*The following tool is available through the Honda Tool and Equipment Program. On the iN, click on: Service > Service Bay > Tool and Equipment Program, then enter the number under "Search." Or, call 888-424-6857.*

- Trim Tool Set (T/N SOJATP2014)
- Plastic Trim Tool (T/N SILTRIMTL10)

## Illustration of the Front Grille on the Vehicle



FRONT GRILLE

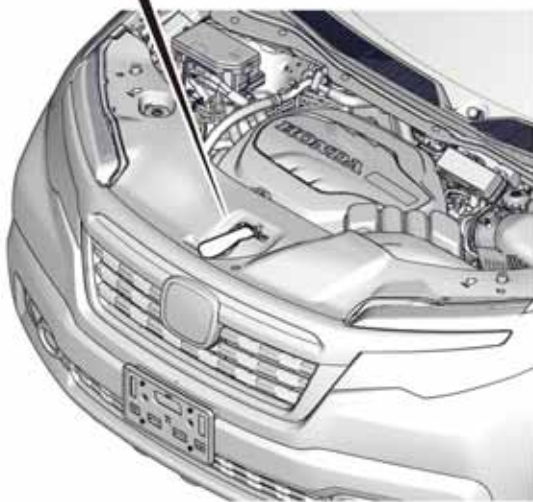
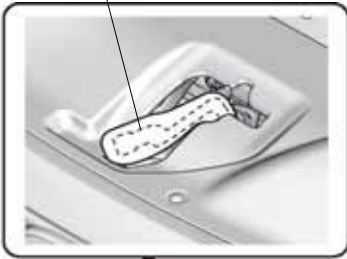
QE02001AB

## INSTALLATION

**Customer Information:** The information in this installation instruction is intended for use only by skilled technicians who have the proper tools, equipment, and training to correctly and safely add equipment to your vehicle. These procedures should not be attempted by “do-it-yourselfers.”

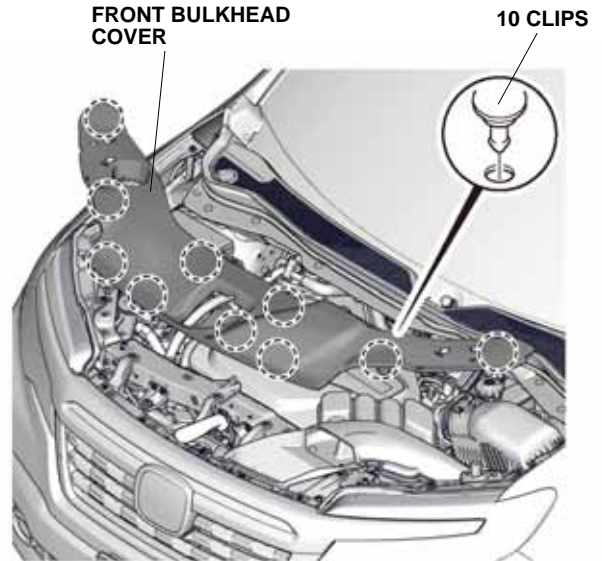
1. Disconnect the negative cable from the battery:
  - Wrap a shop towel around the hood latch.

**HOOD LATCH**  
(Wrap with a shop towel.)



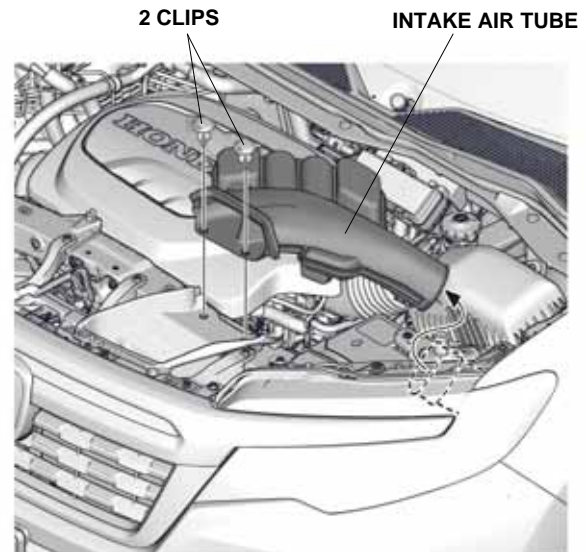
QE01402BB

- Remove the front bulkhead cover.



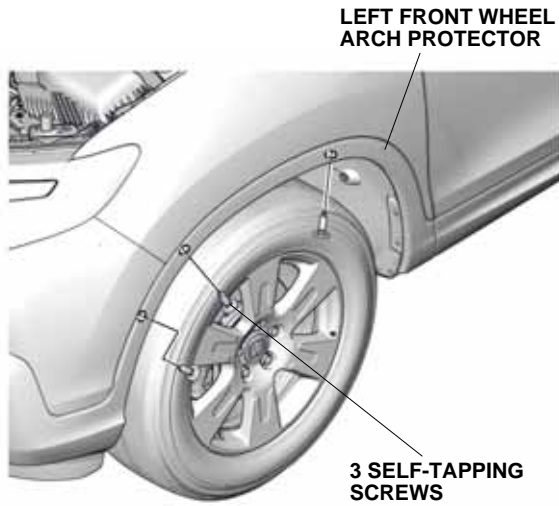
QE01403AB

- Remove the intake air tube.
- Disconnect the negative cable from the battery.



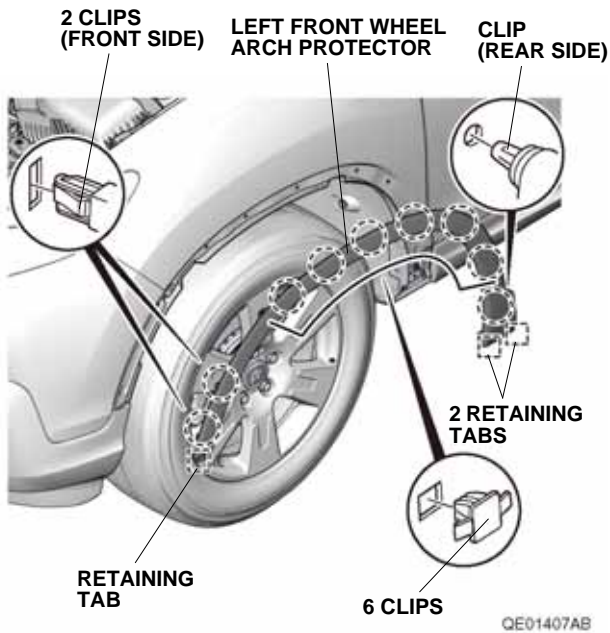
QE01404AB

- Remove the three self-tapping screws from the left front wheel arch protector.



QE01406AB

- Remove the left front wheel arch protector.

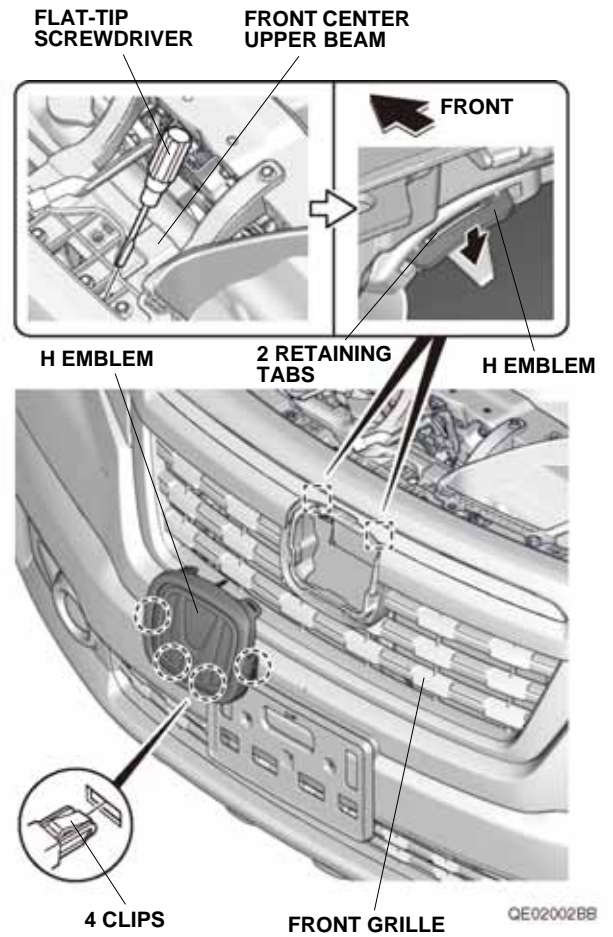


QE01407AB

- Repeat steps 2 and 3 on the right side of the vehicle.

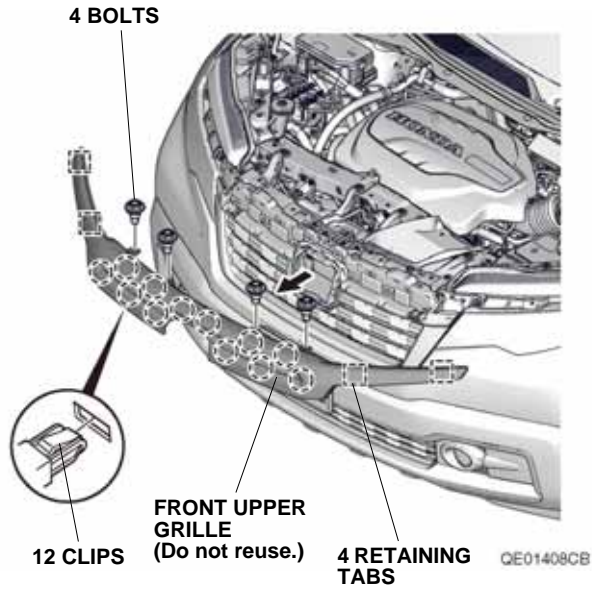
- Remove the front bumper:

- Using a flat-tip screwdriver, remove the H emblem from the front grille.

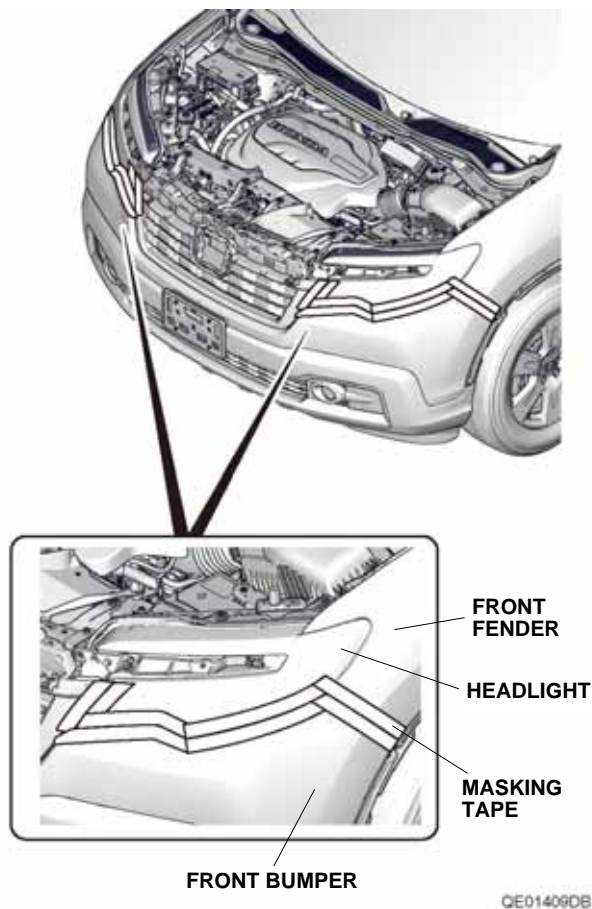


QE02002BB

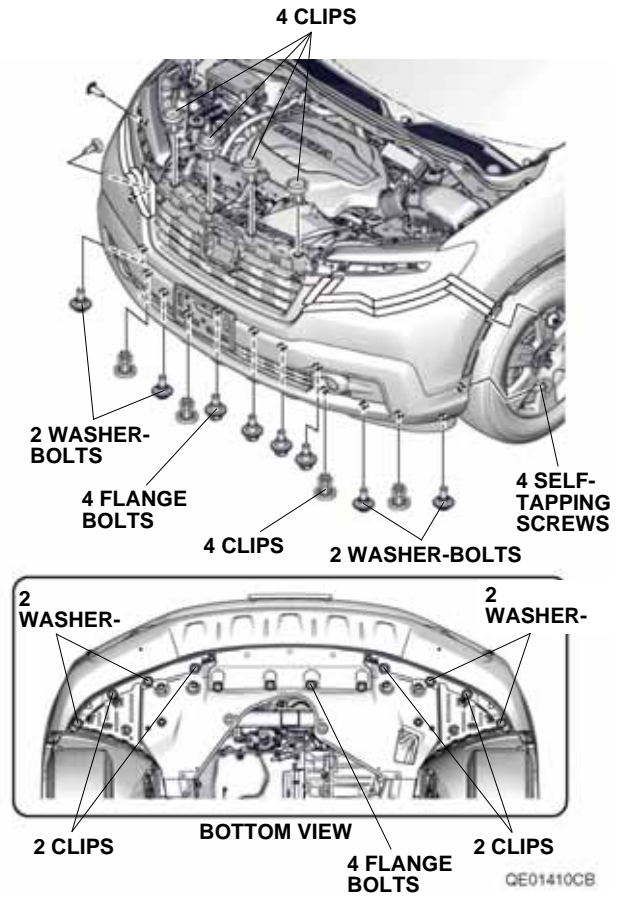
- Remove the front upper grille.



- Apply masking tape as shown.

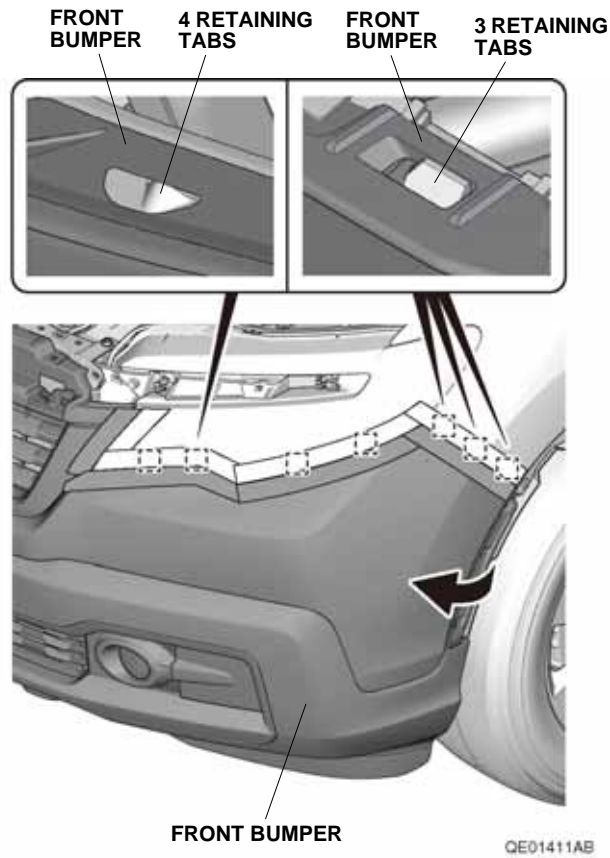


- Remove the four self-tapping screws, eight clips, four washer-bolts, and four flange bolts.

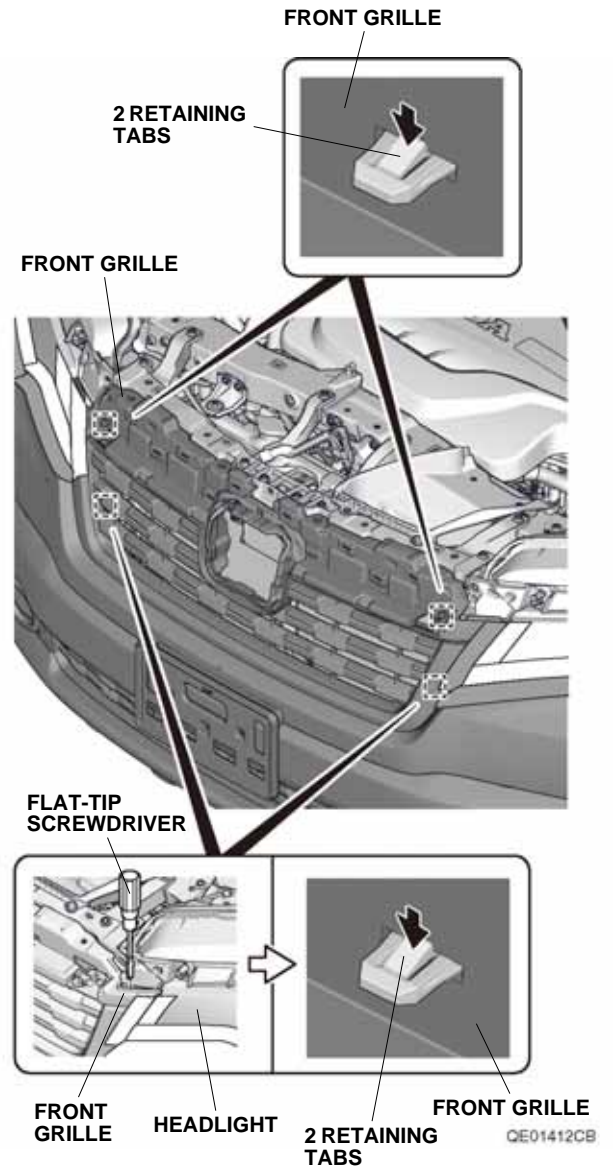




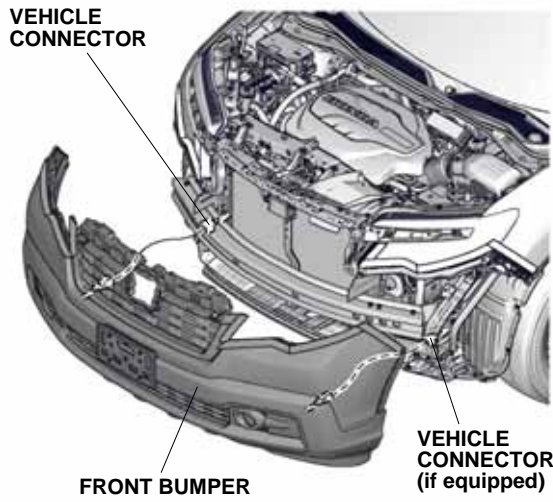
- With the help of an assistant, release the seven retaining tabs on each side.



- Release the front grille.

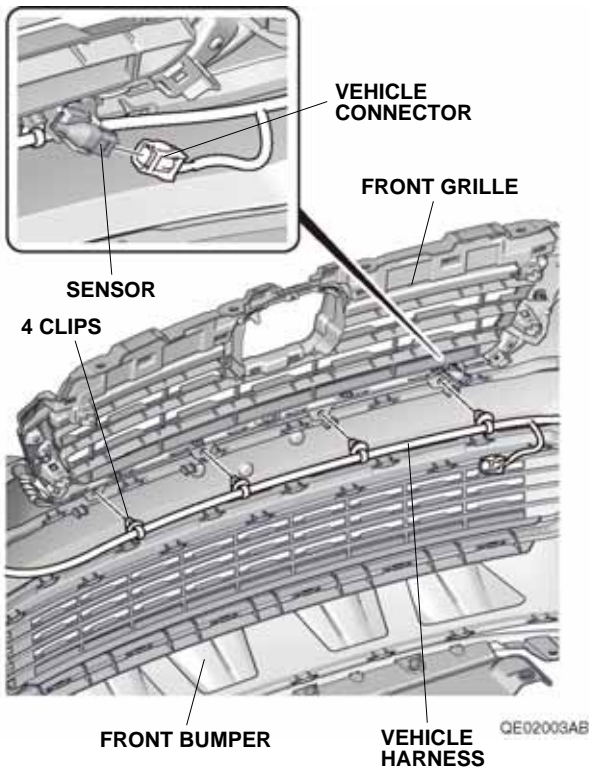


- With the help of an assistant, remove the front bumper and unplug the vehicle connectors.
- Place the front bumper on a blanket.



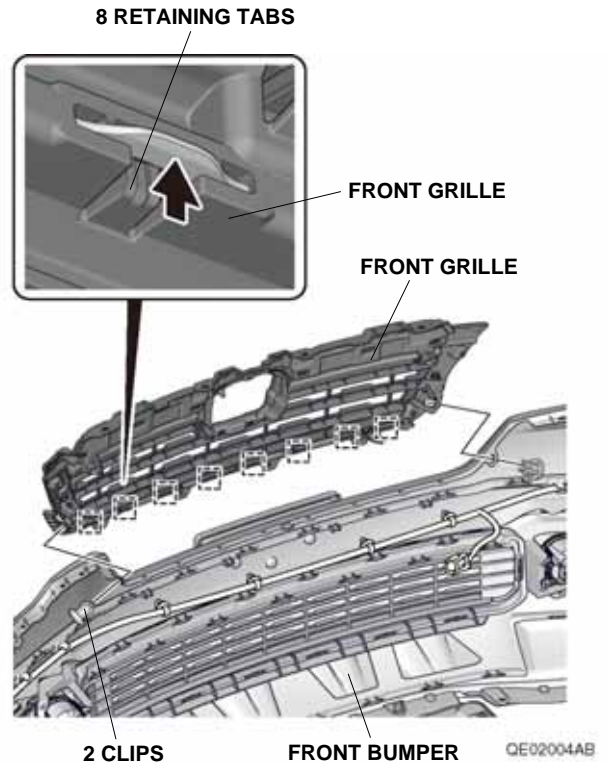
QE01602CA

6. Release the vehicle harness from the front grille and unplug the vehicle connector.



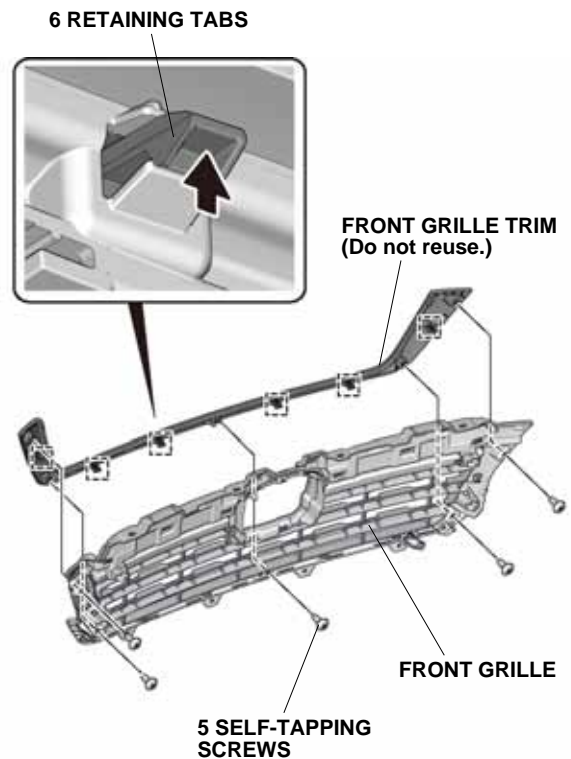
QE02003AB

7. Remove the front grille from the front bumper.



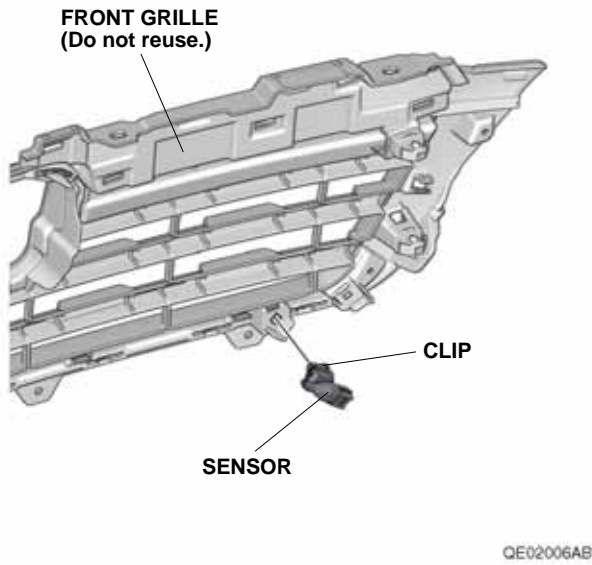
QE02004AB

8. Remove the front grille trim from the front grille.

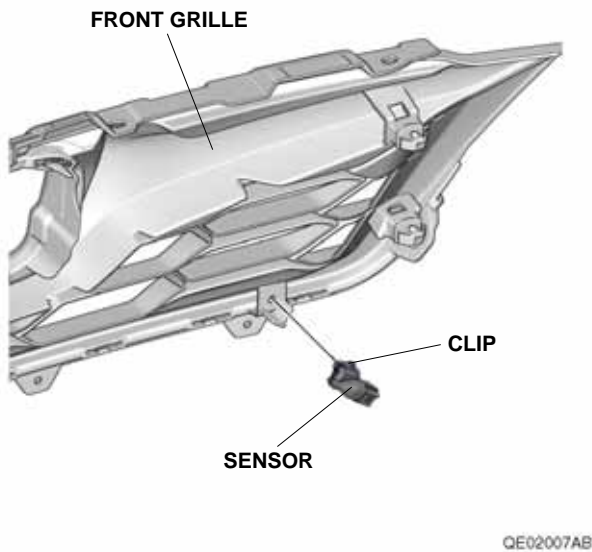


QE02005AB

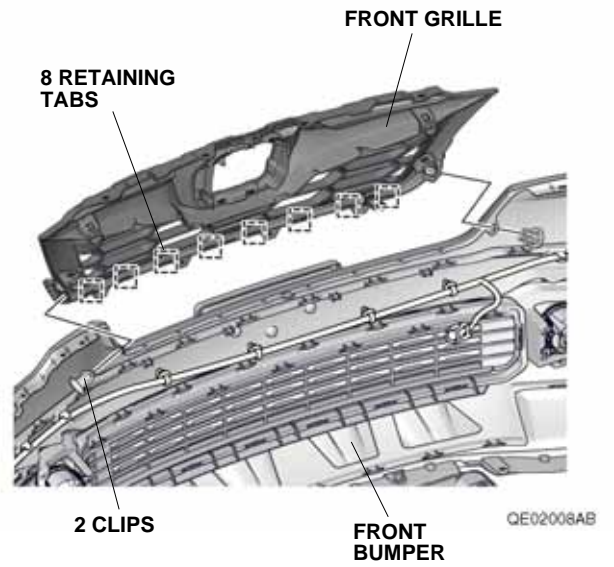
9. Remove the sensor from the front grille .  
NOTE: Be careful not to damage the sensor clip.



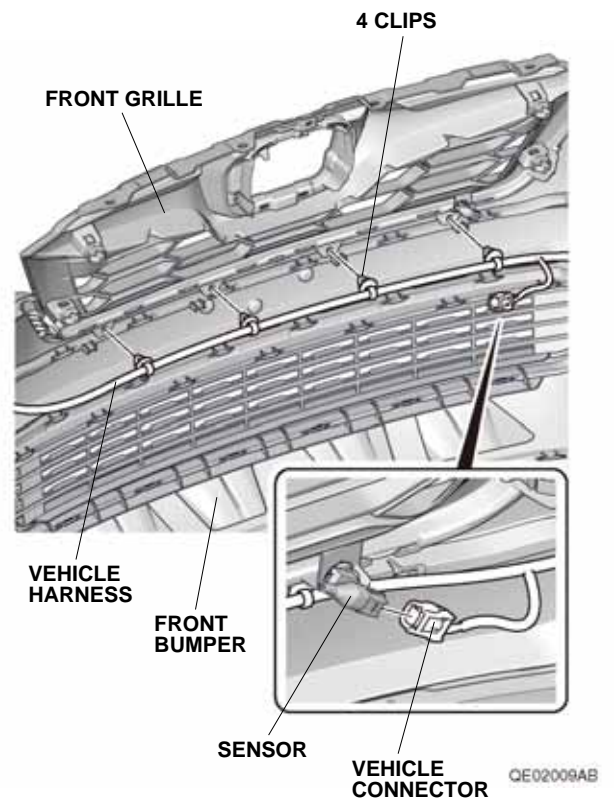
10. Install the sensor removed in step 9 to the front grille with one clip.



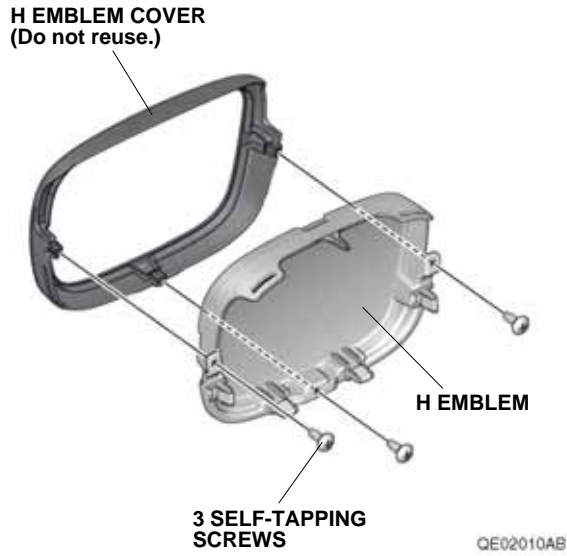
11. Install the front grille to the front bumper.



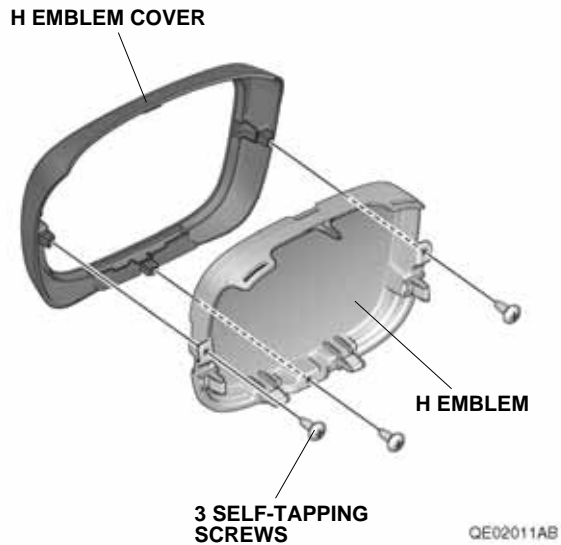
12. Secure the vehicle harness to the front grille and plug the vehicle connector into the sensor.



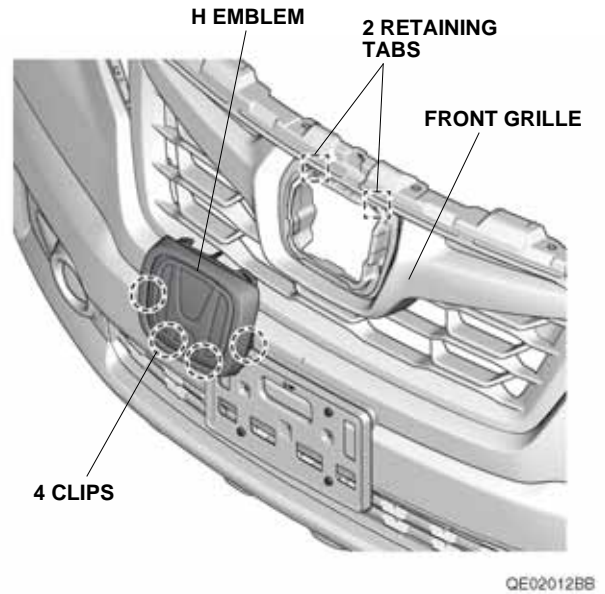
13. Remove the H emblem cover from the H emblem.



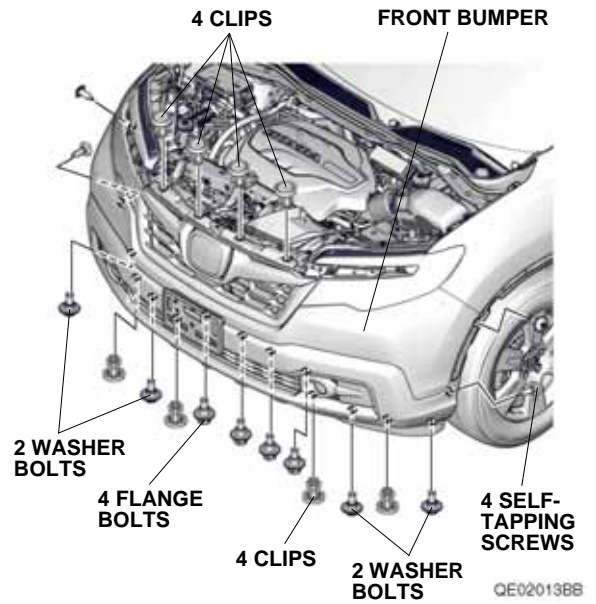
14. Install the H emblem cover to the H emblem.



15. Install the H emblem to the front grille.

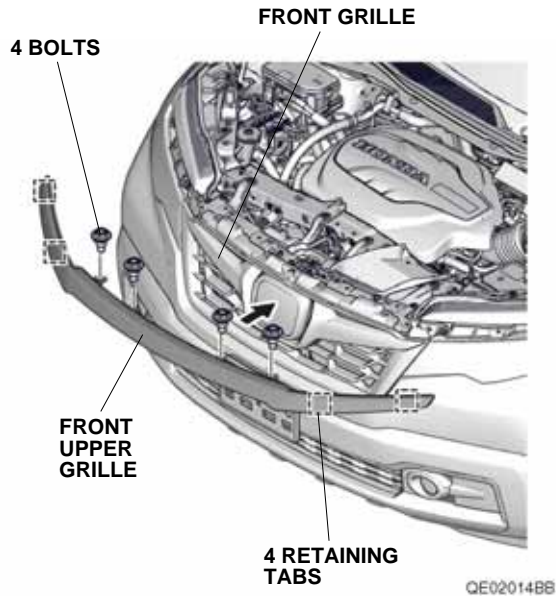


16. With the help of an assistant, install the front bumper and plug in the vehicle connectors.





17. Install the front upper grille.



18. Check that all wire harnesses are routed properly and all connectors are plugged in.
19. Install all removed parts except for the front bulkhead cover and the intake air tube.
20. Connect the negative cable to the battery.
21. Install the front bulkhead cover and the intake air tube.
22. Press and hold the audio unit power button for 2 seconds to restore the audio and navi (if equipped) system functions.
23. Set the clock on vehicles without navigation.
24. Restore the systems back to normal operation as described in the service information if necessary.