

**PARTS LIST**

**Illuminated Console Kit**  
**P/N 08E16-TBA-100**  
**P/N 08E16-TEA-100A**  
**P/N 08E16-TEA-100B**

\*: The part differs depending on the kit.

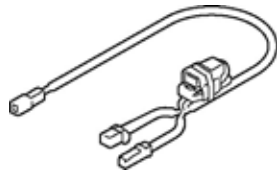
Left light



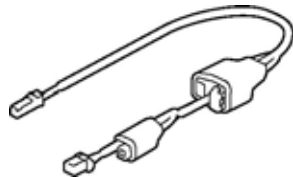
Right light



\*Light harness  
(P/N 08E16-TBA-100/08E16-TEA-100A)



\*Light harness  
(P/N 08E16-TEA-100B)



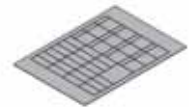
\*4 Wire ties  
(P/N 08E16-TBA-100/08E16-TEA-100A)



\*3 Wire ties  
(P/N 08E16-TEA-100B)



Fuse label



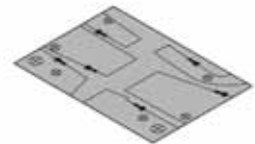
6 Self-tapping screws



Urethane tape



Template



Aluminum tape



## TOOLS AND SUPPLIES REQUIRED

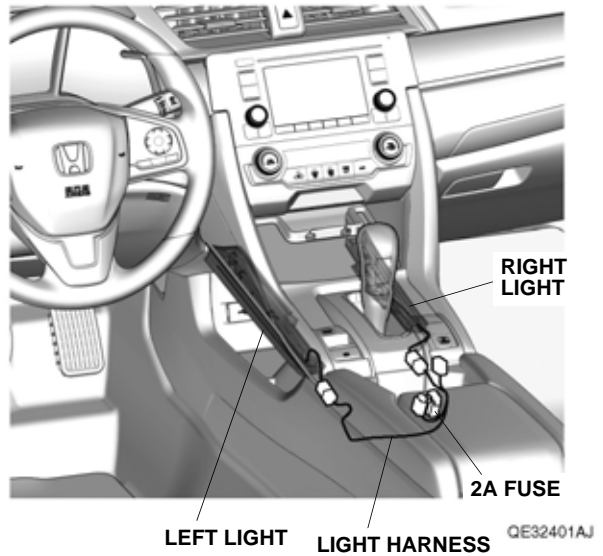
Phillips screwdriver  
10 mm Open end wrench  
Ratchet  
10 mm Socket  
Diagonal cutters  
Isopropyl alcohol  
Shop towel  
Tape  
Scissors  
Masking tape  
Pushpin  
Eye protection (face shield, safety goggles, etc.)  
Drill  
3 mm, 6 mm, 7 mm, 8 mm, and 10 mm Drill bits  
File

*The following tools are available through the Honda Tool and Equipment Program. On the iN, click on Service > Service Bay > Tool and Equipment Program, then enter the number under "Search." Or, call 888-424-6857.*

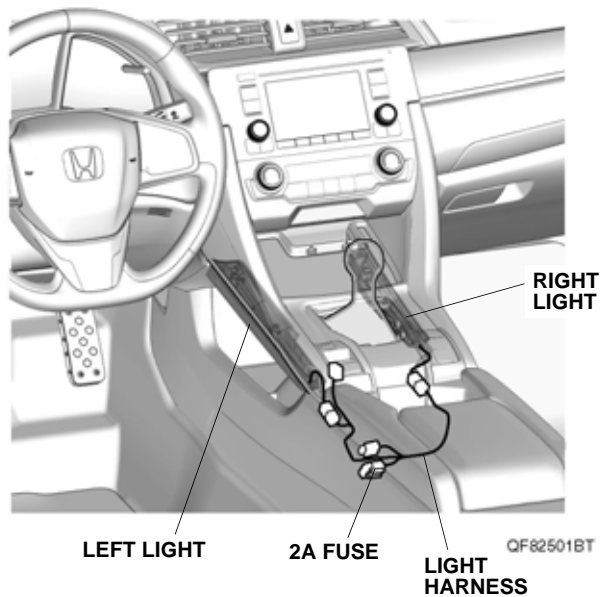
- Trim Tool Set (T/N SOJATP2014)
- Plastic Trim Tool (T/N SILTRIMTL10)

## Illustration of the Illuminated Console Installed in the Vehicle

CIVIC and CIVC SI



CIVIC TYPE R

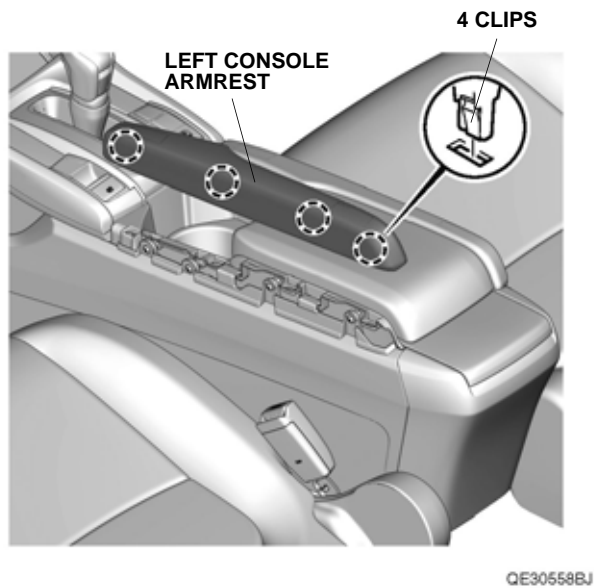


## INSTALLATION

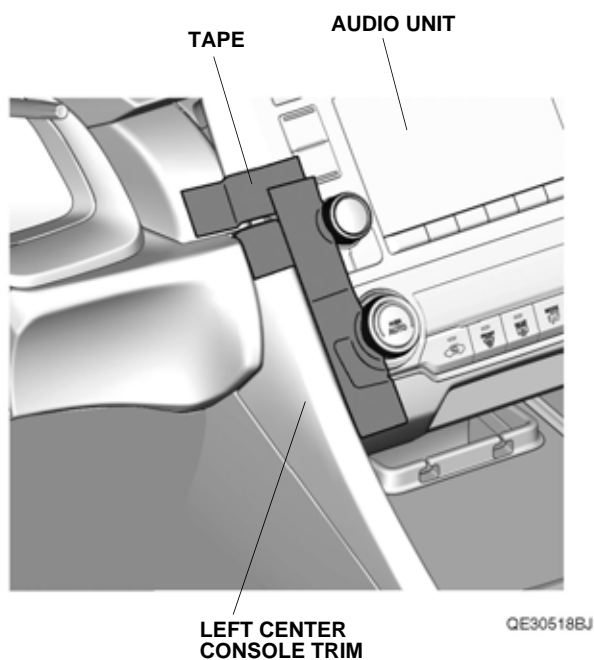
**Customer Information:** The information in this installation instruction is intended for use only by skilled technicians who have the proper tools, equipment, and training to correctly and safely add equipment to your vehicle. These procedures should not be attempted by "do-it-yourselfers."

1. Disconnect the negative cable from the battery.

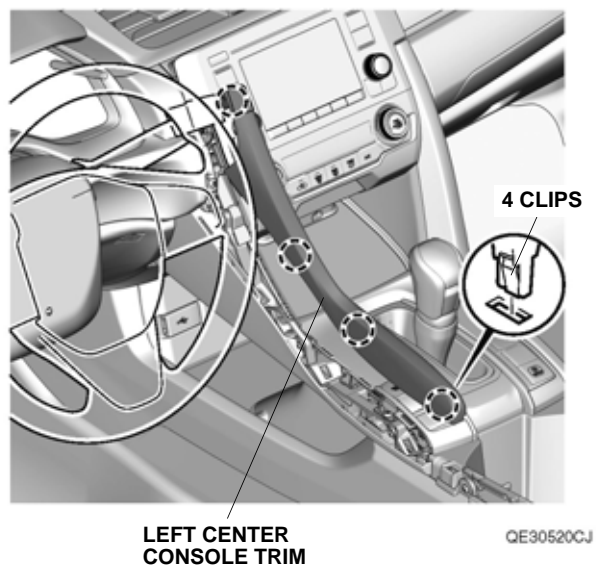
2. Remove the left console armrest.



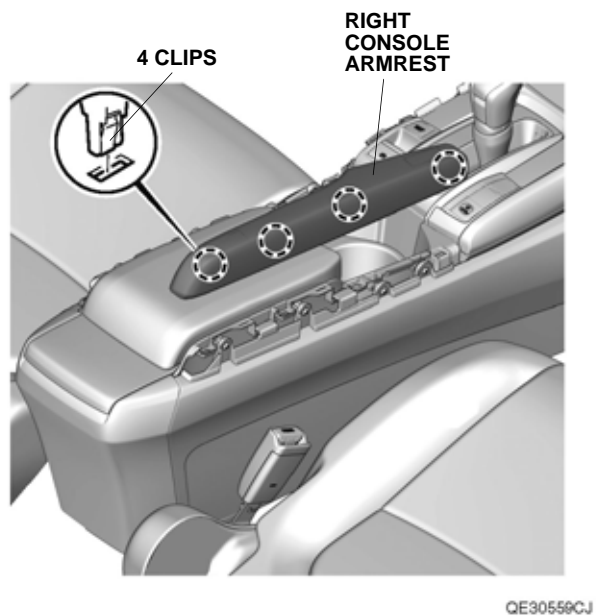
3. Attach tape to the area shown.



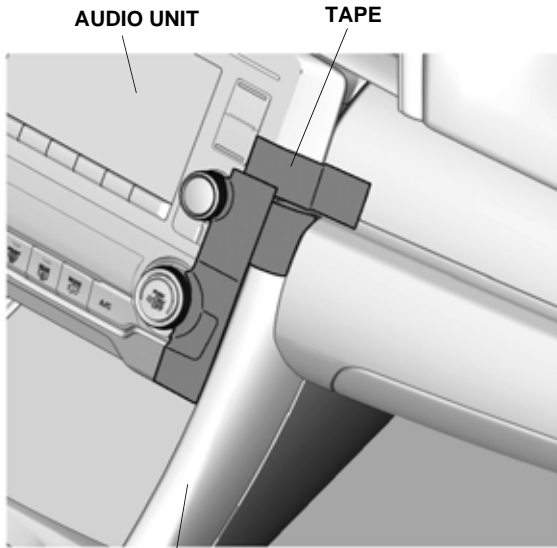
4. Remove the left center console trim.



5. Remove the right console armrest.



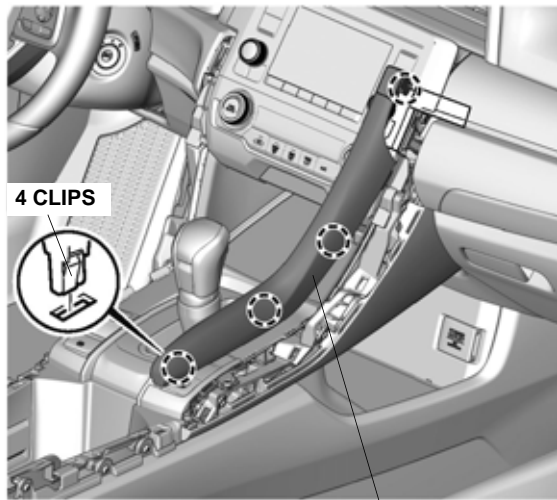
6. Attach tape to the area shown.



**RIGHT CENTER  
CONSOLE TRIM**

QE30514BJ

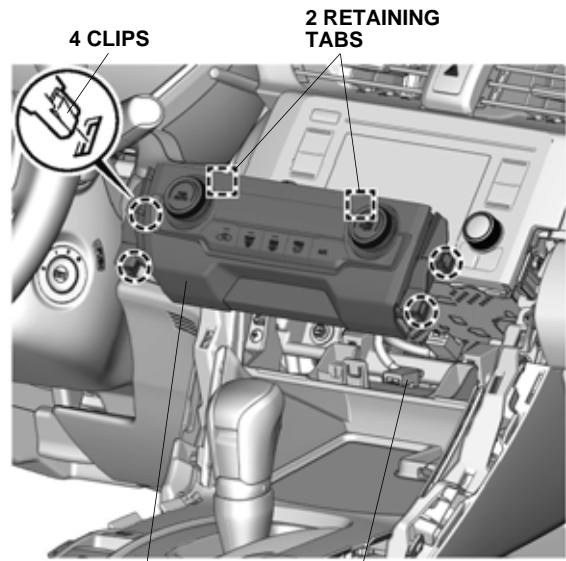
7. Remove the right center console trim.



**RIGHT CENTER  
CONSOLE TRIM**

QE30516CJ

8. Remove the A/C control unit, and unplug the vehicle connectors.



**A/C CONTROL  
UNIT**

**VEHICLE  
CONNECTORS**

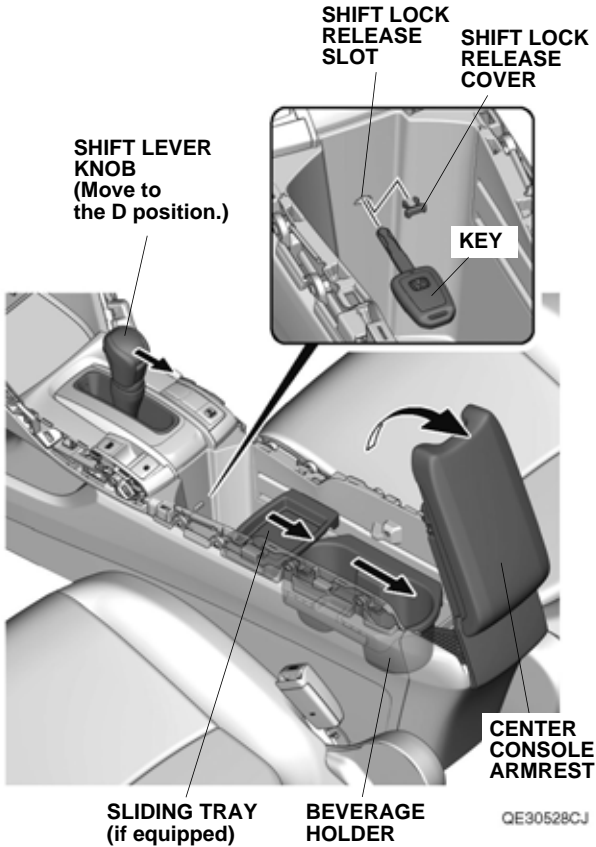
QE30523BJ

9. Remove the shift lever console panel:

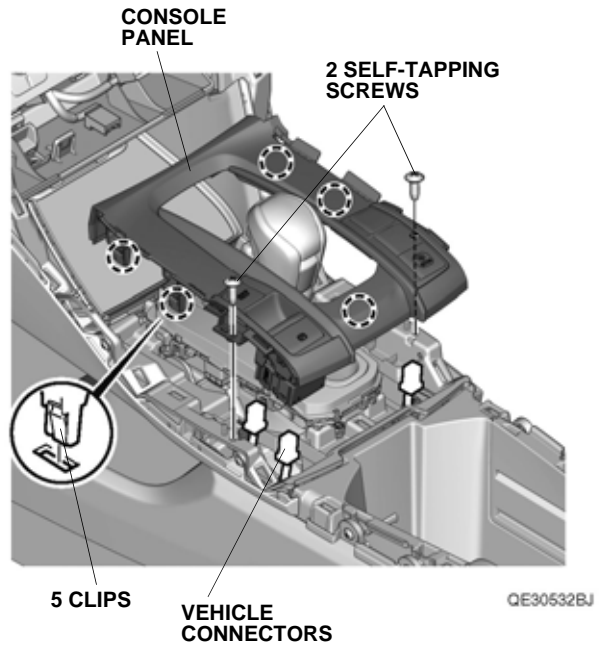
CVT Models

- Open the center console armrest, and slide the sliding tray (if equipped) and the beverage holder rearward.
- Remove the shift lock release cover with a plastic trim tool.
- Insert the key into the shift lock release slot, and move the shift lever knob to the D position.

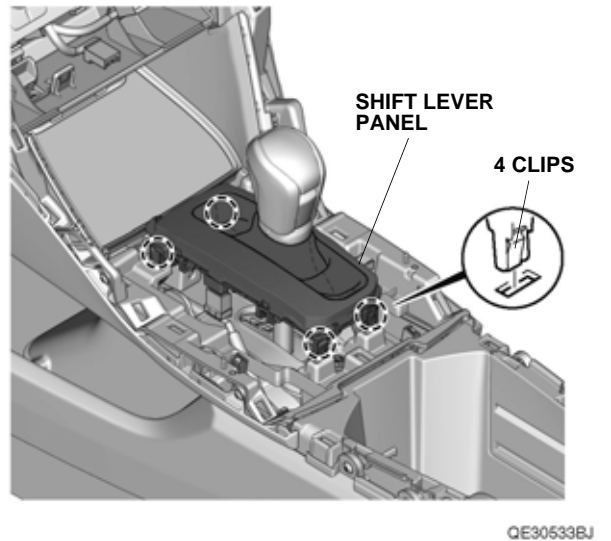
NOTE: Make sure to apply the parking brake.



- Remove the console panel, and unplug the vehicle connectors.

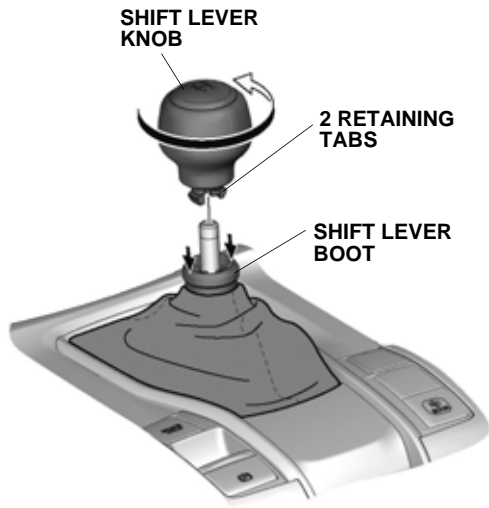


- Release the shift lever panel.



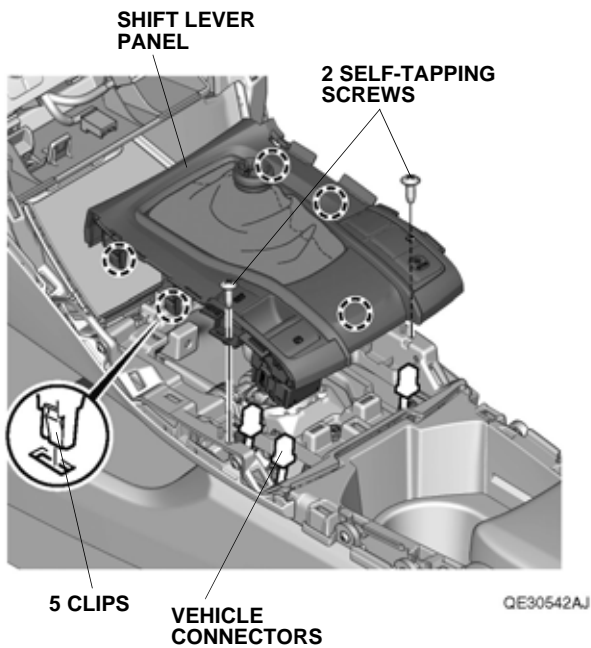
## MT Models

- Lower the shift lever boot to release two the retaining tabs from the boot.
- Remove the shift lever knob.



QE30541AJ

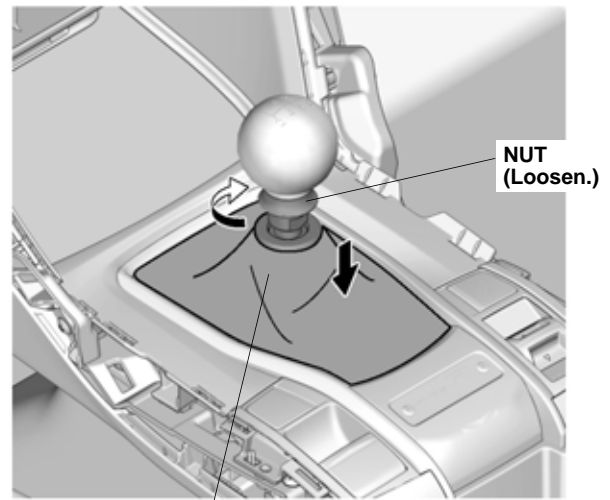
- Remove the shift lever panel, and unplug the vehicle connectors.



QE30542AJ

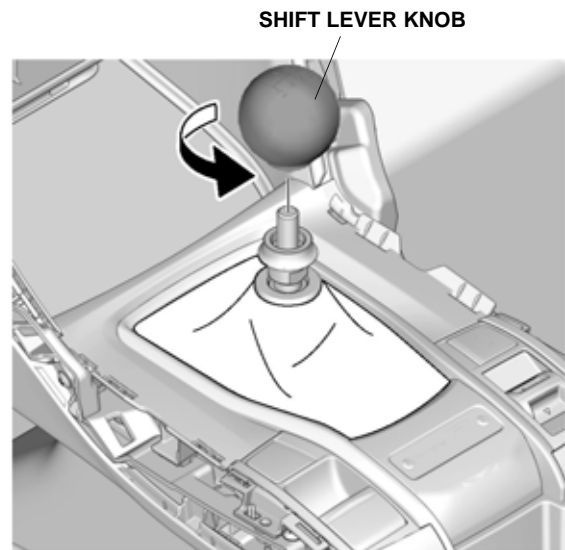
## TYPE R

- Lower the shift lever boot.
- Loosen the nut.



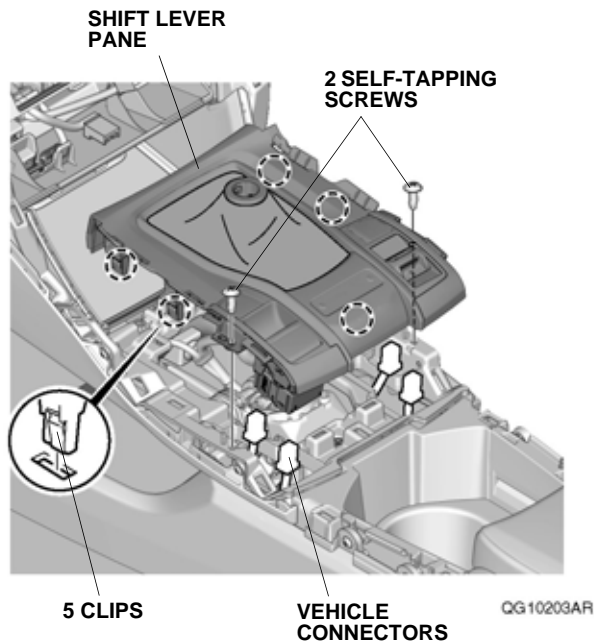
QG10201BR

- Remove the shift lever knob.

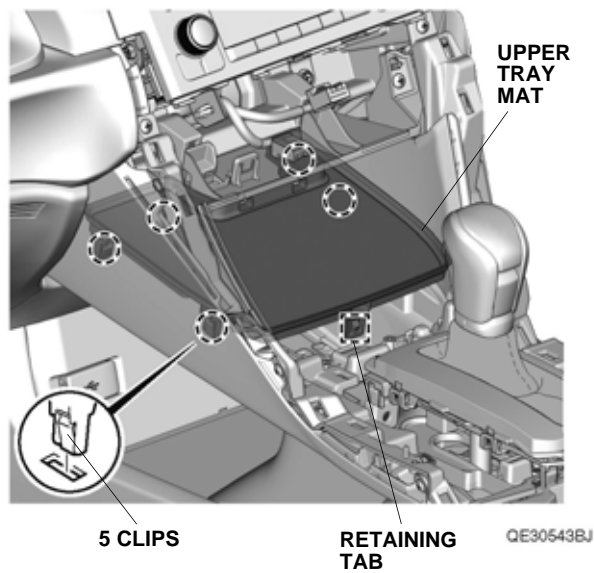


QG10202AR

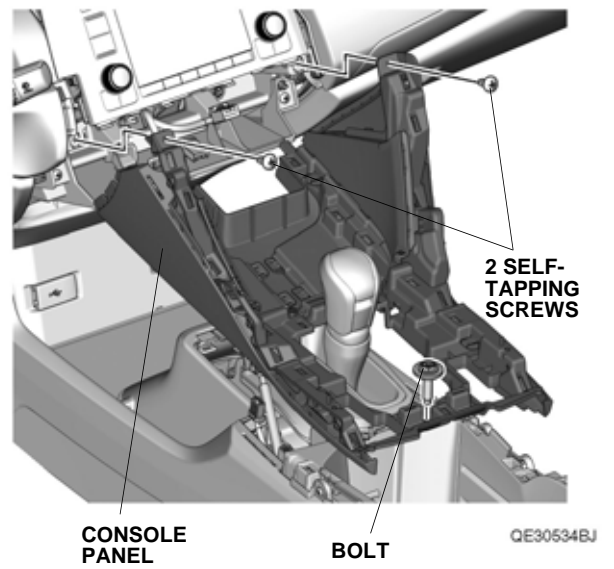
- Remove the shift lever panel, and unplug the vehicle connectors.



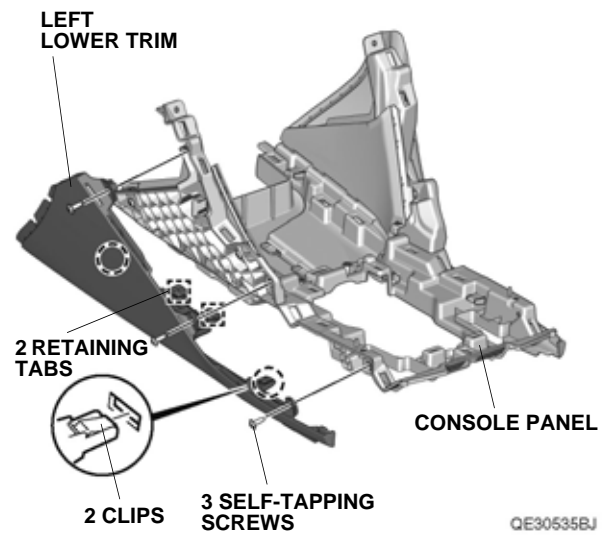
- Remove the upper tray mat.



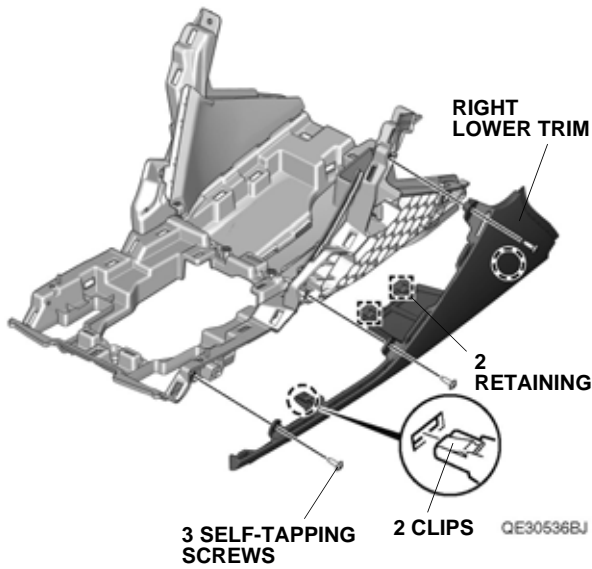
- Remove the console panel.



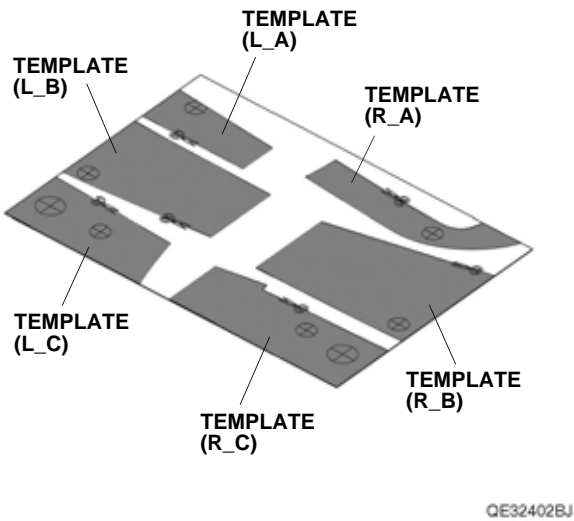
- Remove the left lower trim.



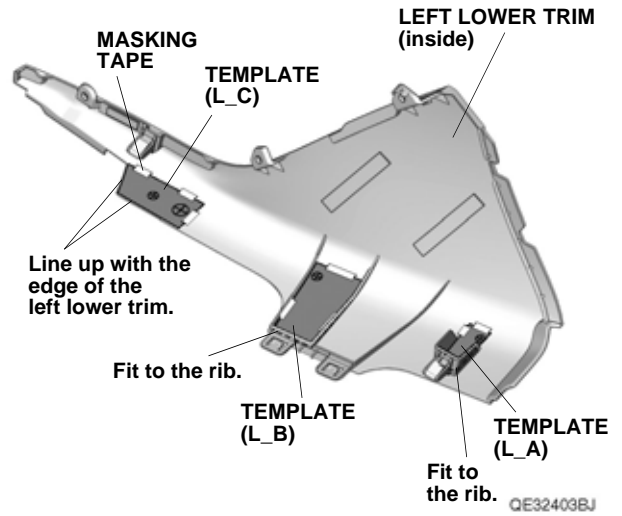
13. Remove the right lower trim.



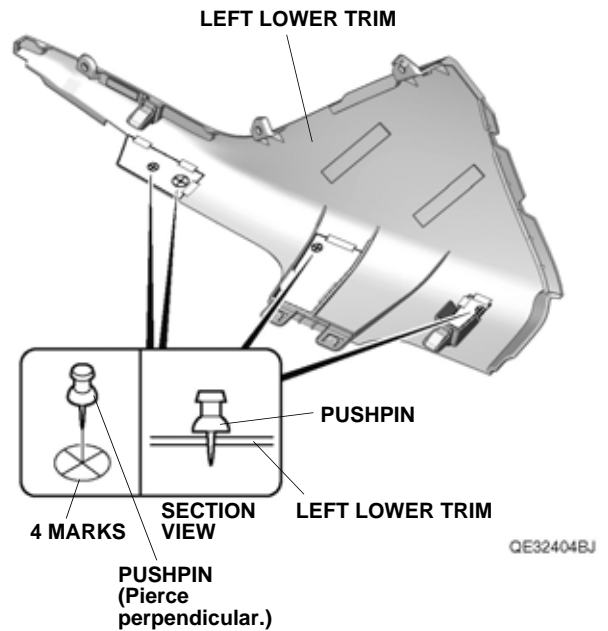
14. Using scissors, cut the template into six pieces.



15. Attach the templates to the left lower trim with masking tape.



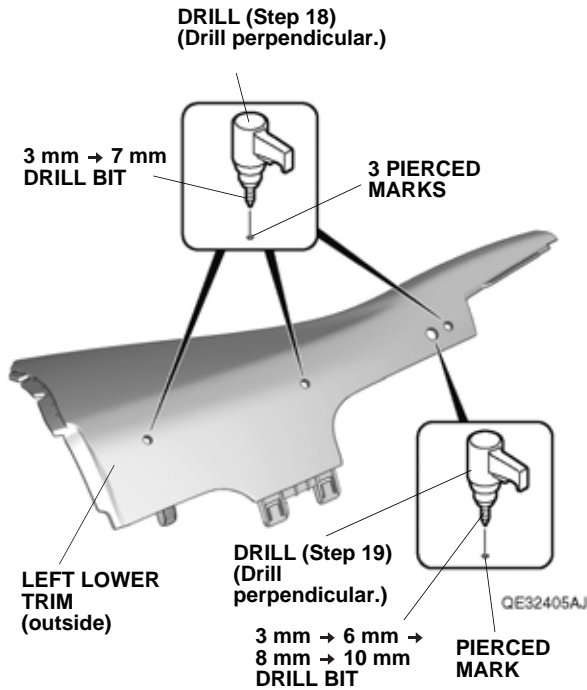
16. Using a pushpin, pierce the center of the four marks on the templates.



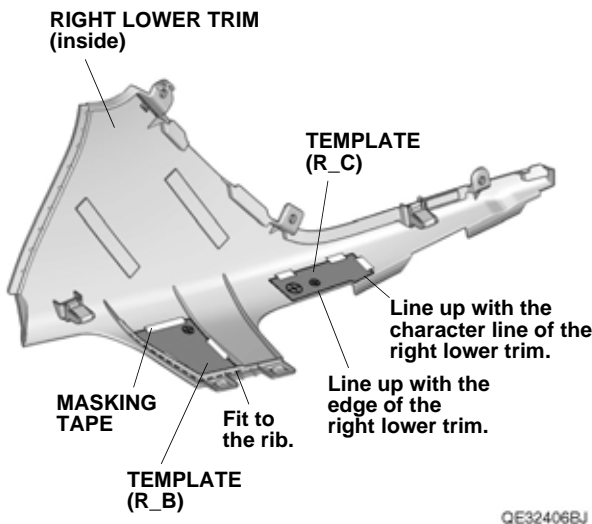
17. Remove the templates.



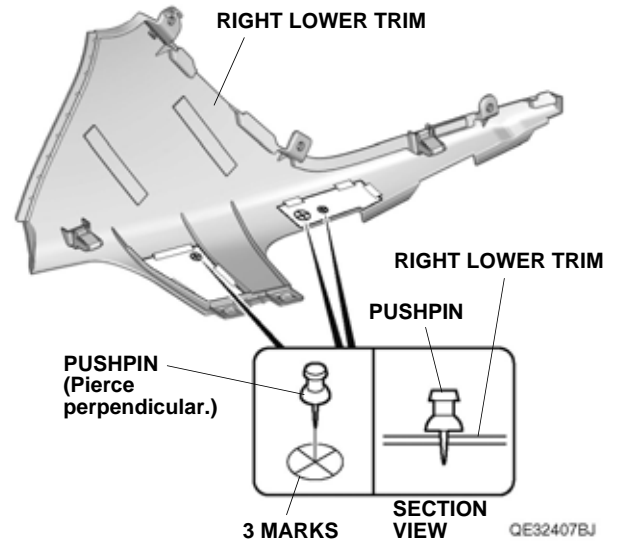
18. While wearing eye protection, drill the three pierced marks with a 3 mm drill bit, then finish with a 7 mm drill bit.



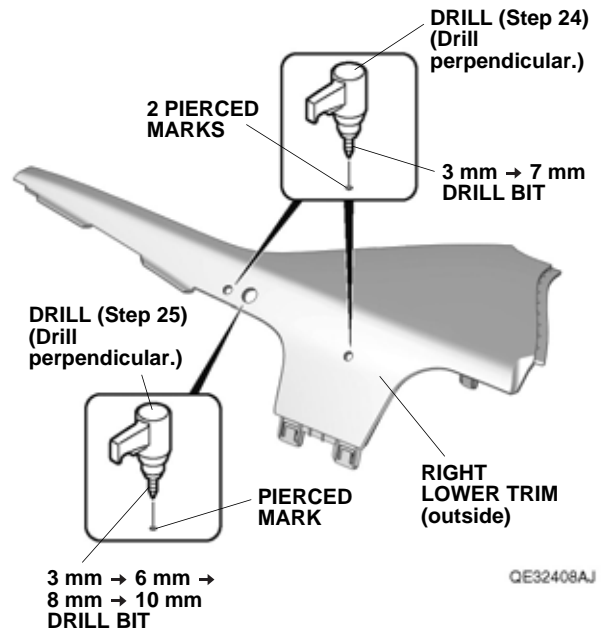
19. While wearing eye protection, drill the pierced mark with a 3 mm drill bit, with a 6 mm drill bit, with an 8 mm drill bit, then finish with a 10 mm drill bit.
20. Using a file, remove any burrs from the holes.
21. Attach the templates to the right lower trim with masking tape.



22. Using a pushpin, pierce the center of three marks on the templates.

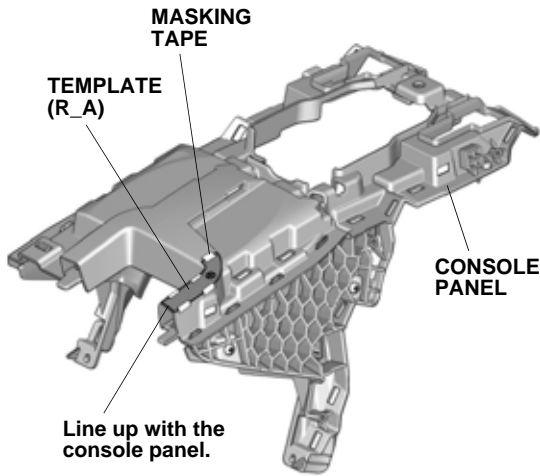


23. Remove the templates.
24. While wearing eye protection, drill the two pierced marks with a 3 mm drill bit, then finish with a 7 mm drill bit.



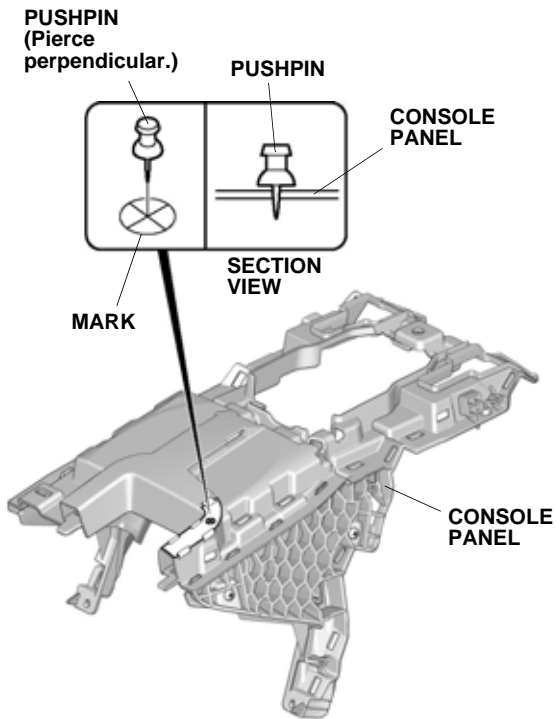
25. While wearing eye protection, drill the pierced mark with a 3 mm drill bit, with a 6 mm drill bit, with an 8 mm drill bit, then finish with a 10 mm drill bit.

26. Using a file, remove any burrs from the holes.
27. Attach the template to the console panel using masking tape.



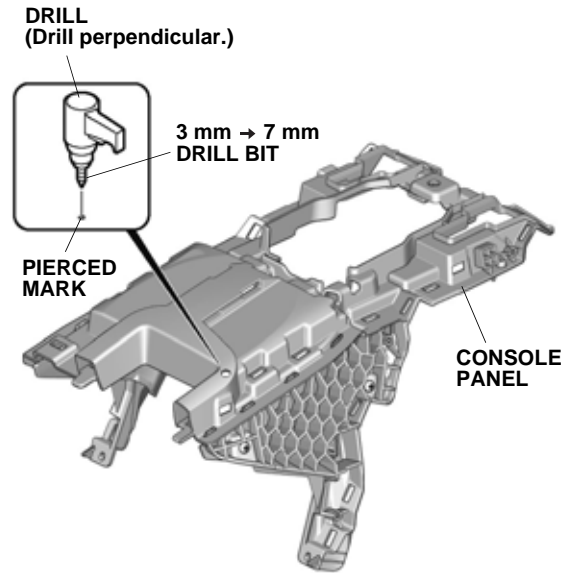
QE32409AJ

28. Using a pushpin, pierce the center of the mark on the template.



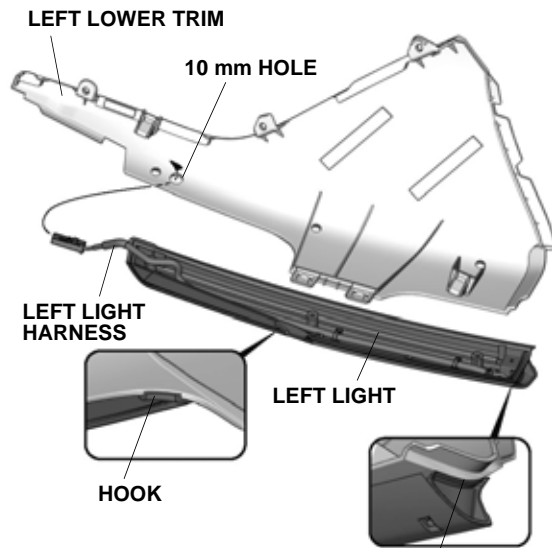
QF62720AT

29. Remove the template.
30. While wearing eye protection, drill the pierced mark with a 3 mm drill bit, then finish with a 7 mm drill bit.



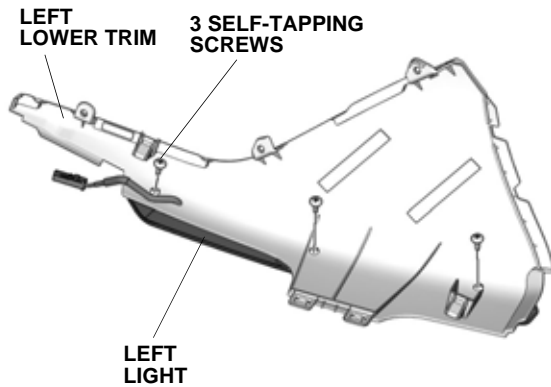
QE32411AJ

31. Using a file, remove any burrs from the hole.
32. Route the left light harness through the 10 mm hole, and line up the left light with the left lower trim.



QE32412AJ

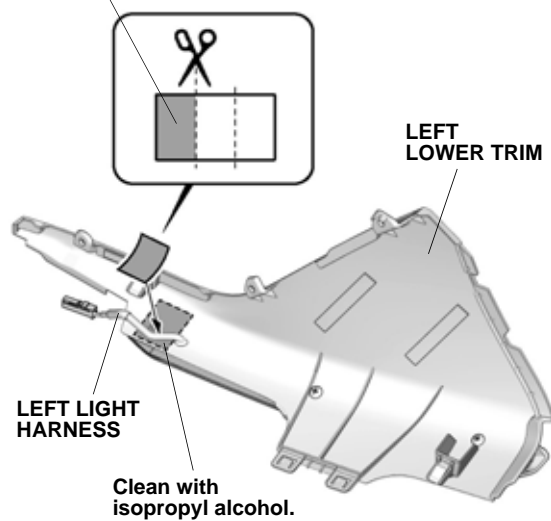
33. Secure the left light to the left lower trim with three self-tapping screws.



QE32413AJ

34. Using isopropyl alcohol on a shop towel, thoroughly clean the left lower trim where the aluminum tape will attach.

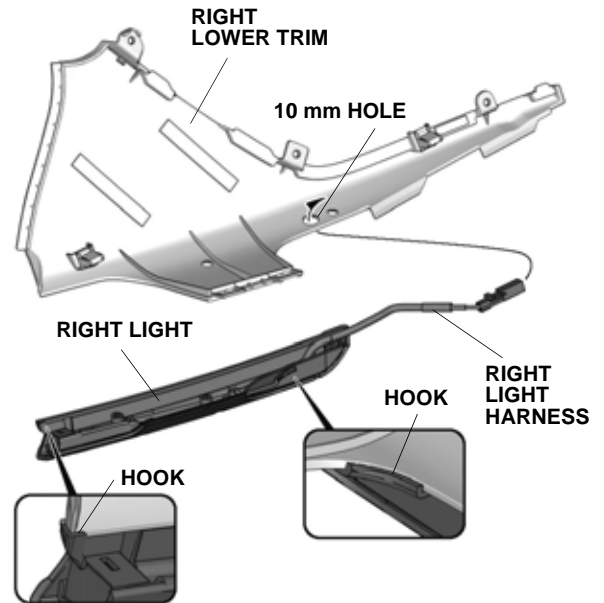
ALUMINUM TAPE  
(Cut into three.)



QF62721AT

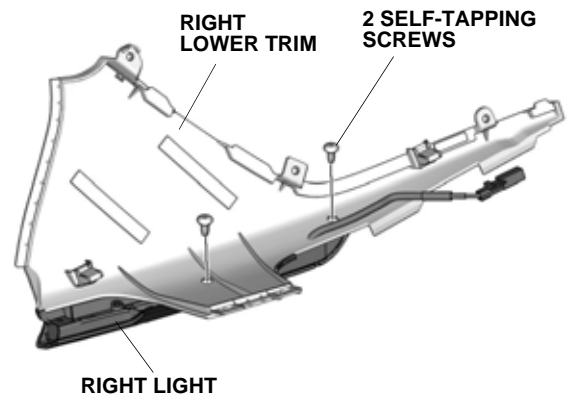
35. Using scissors, cut one aluminum tape into three pieces, secure the left light harness to the left lower trim with one piece of aluminum tape.

36. Route the right light harness through the 10 mm hole, and line up the right light with the right lower trim.



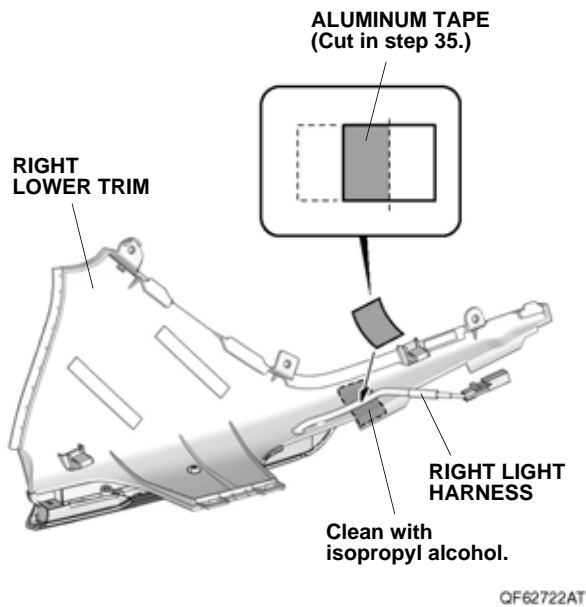
QE32415AJ

37. Secure the right light to the right lower trim with two self-tapping screws.

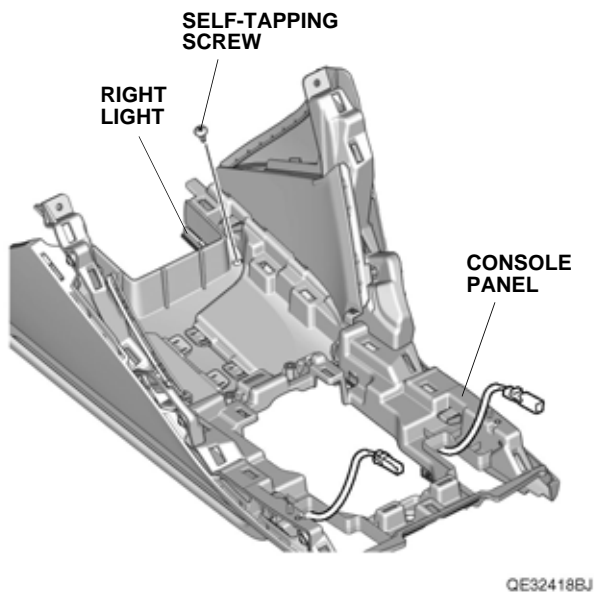


QE32416AJ

38. Using isopropyl alcohol on a shop towel, thoroughly clean the right lower trim where the aluminum tape will attach.



39. Secure the right light harness to the right lower trim with one piece of aluminum tape.
40. Install the left and right lower trims to the console panel.

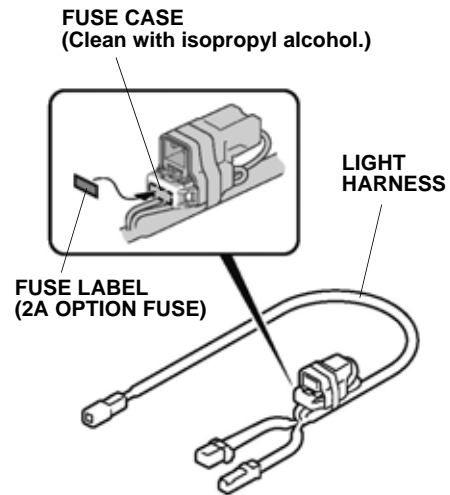


41. Secure the right light to the console panel with one self-tapping screw.

**If the vehicle is CIVIC TYPE R, go to step 53; otherwise, continue with step 42.**

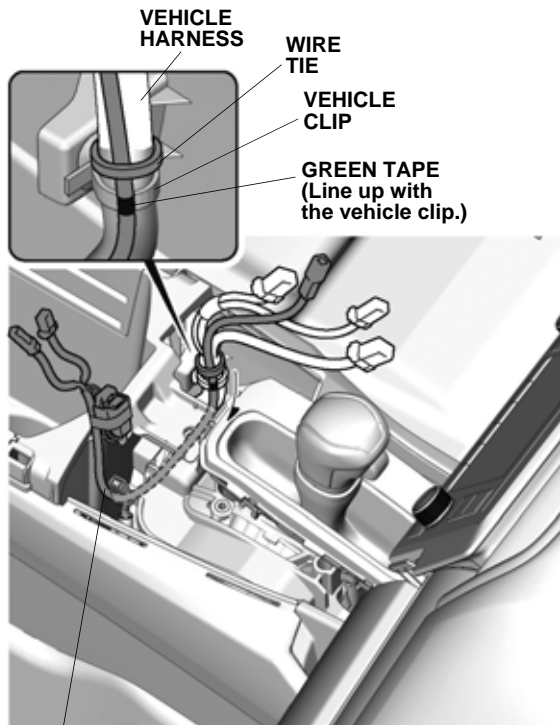
## CIVIC

42. Using isopropyl alcohol on a shop towel, thoroughly clean the light harness fuse case where the fuse label will attach.



43. Apply the fuse label to the light harness fuse case.

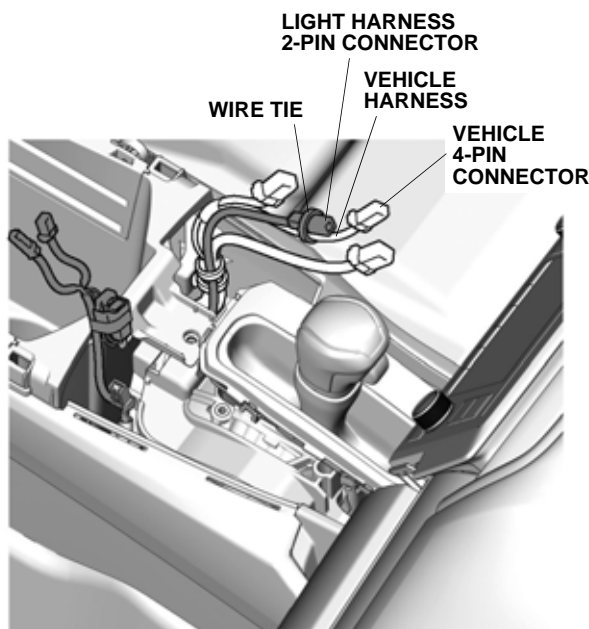
44. Route the light harness as shown. Line up the green tape on the light harness with the vehicle clip, and secure the light harness to the vehicle harness with one wire tie.



LIGHT HARNESS

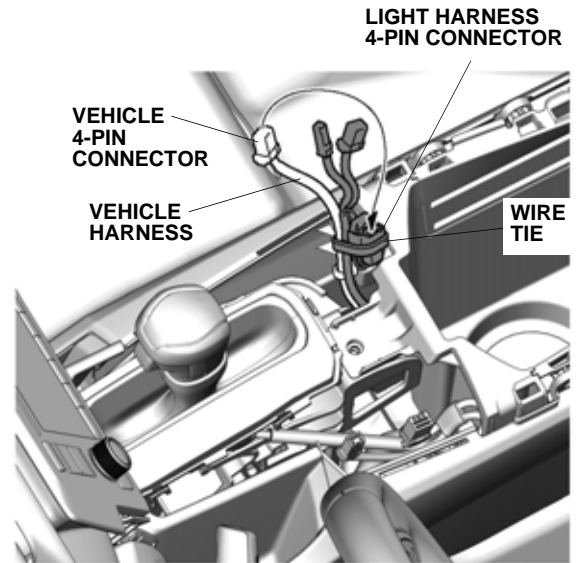
QE32420BJ

45. Secure the light harness 2-pin connector to the vehicle harness with one wire tie.



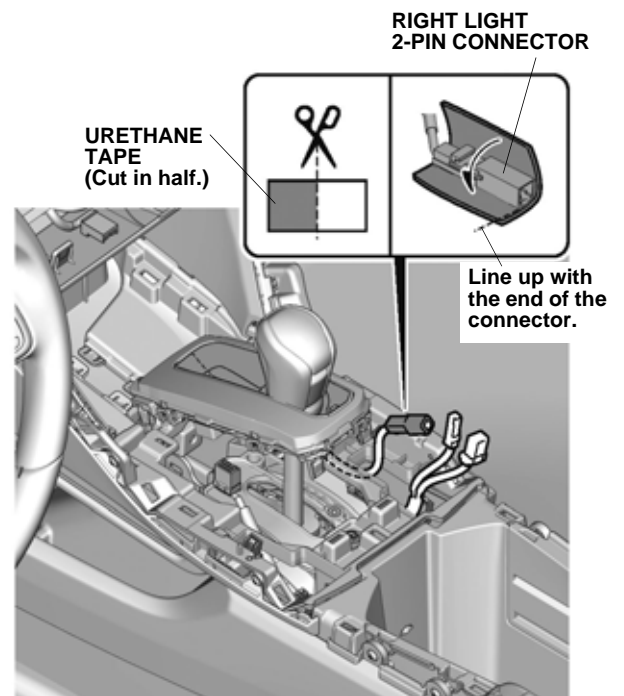
QE32421BJ

46. Plug the vehicle 4-pin connector into the light harness 4-pin connector, and secure the 4-pin connectors to the vehicle harness with one wire tie.



QE32422BJ

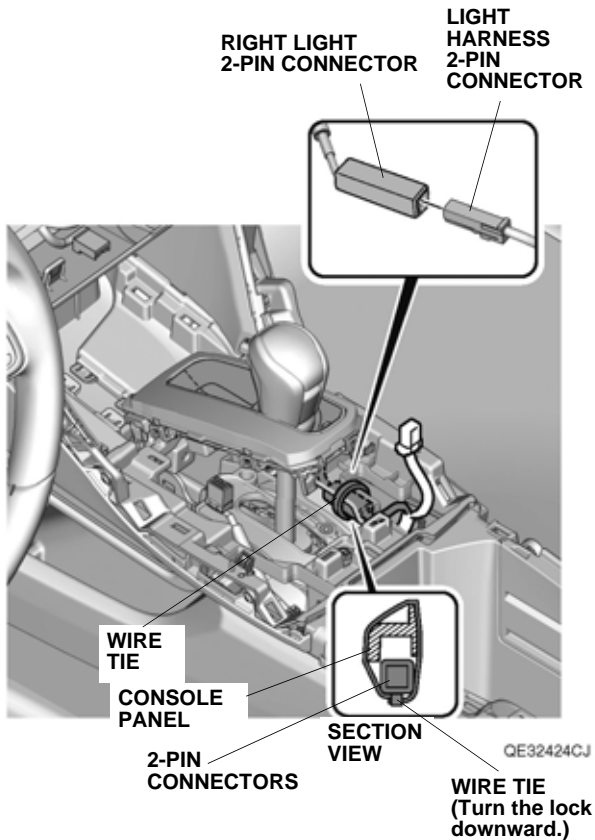
47. Install the console panel.



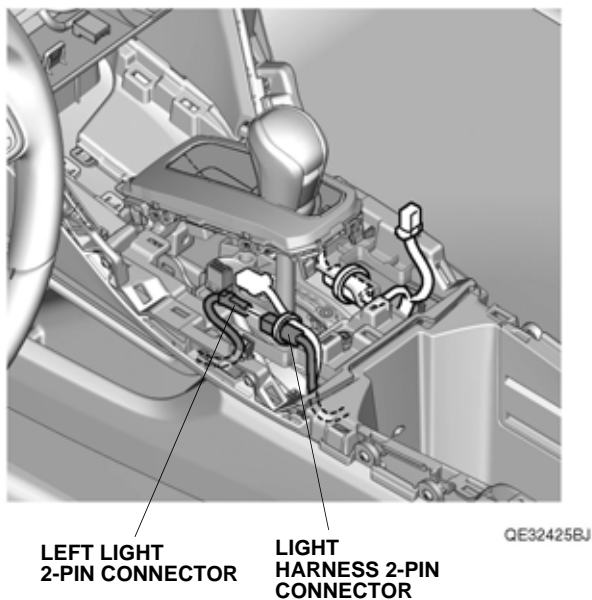
QE32423BJ

48. Using scissors, cut one urethane tape in half, and attach one piece of urethane tape around the right light 2-pin connector.

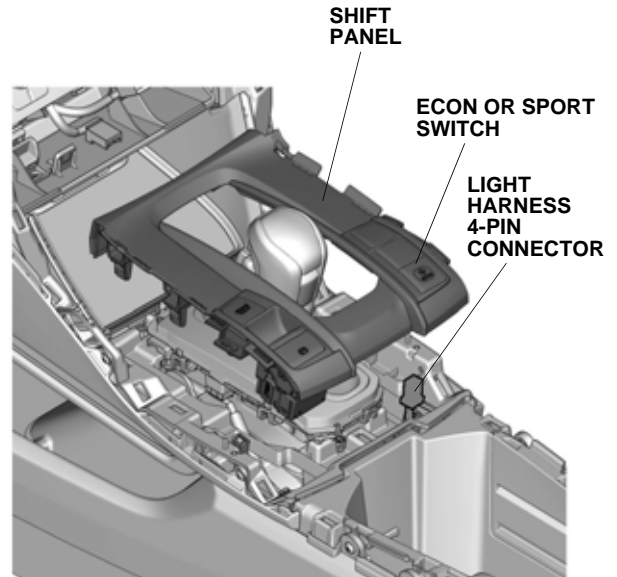
49. Plug the light harness 2-pin connector into the right light 2-pin connector, and secure the 2-pin connectors to the console panel with one wire tie.



50. Plug the left light 2-pin connector into the light harness 2-pin connector.



51. Install the upper tray mat.

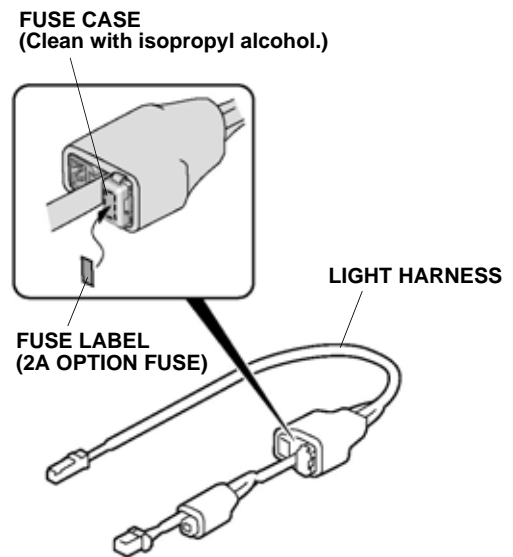


QE32426CJ

52. Plug the light harness 4-pin connector into the ECON or SPORT switch, and install the shift panel. Go to step 65.

### CIVIC TYPE R

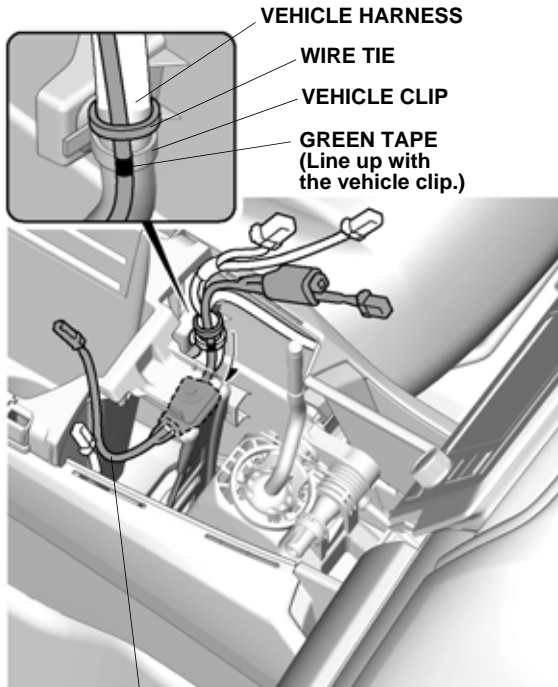
53. Using isopropyl alcohol on a shop towel, thoroughly clean the light harness fuse case where the fuse label will attach.



QF62702AT

54. Apply the fuse label to the light harness fuse case.

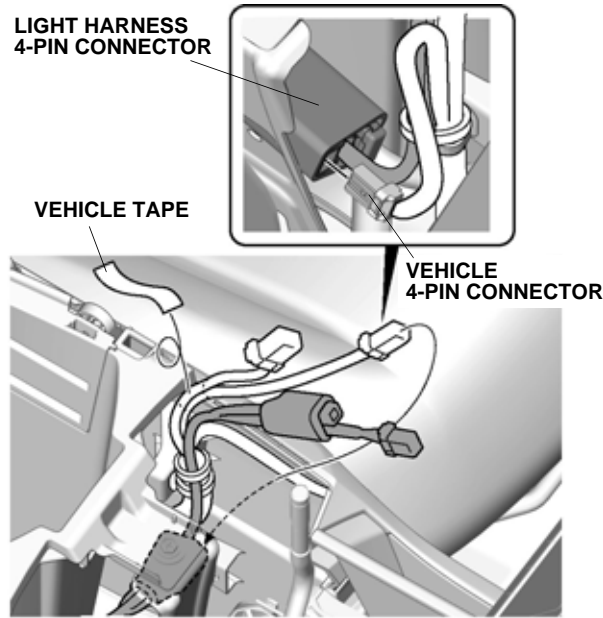
55. Route the light harness as shown. Line up the green tape on the light harness with the vehicle clip, and secure the light harness to the vehicle harness with one wire tie.



LIGHT HARNESS

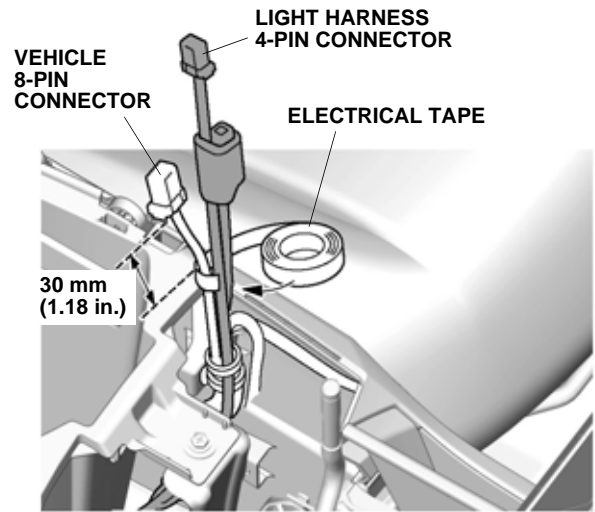
QF82502AT

56. Remove the vehicle tape and plug the vehicle 4-pin connector into the light harness 4-pin connector. NOTE: Be careful not to damage the vehicle harness.



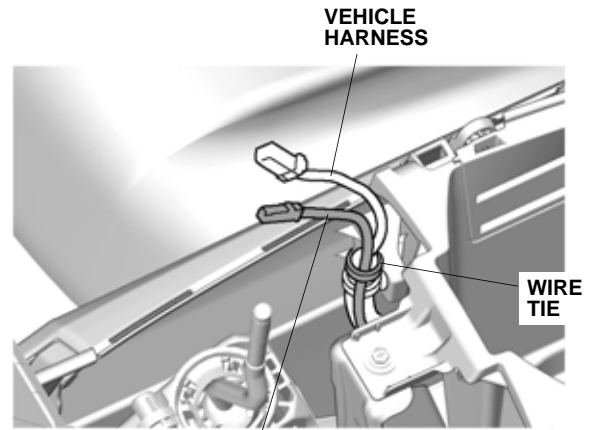
QF82503AT

57. Secure the light harness to the vehicle harness with electrical tape.



QF82504AT

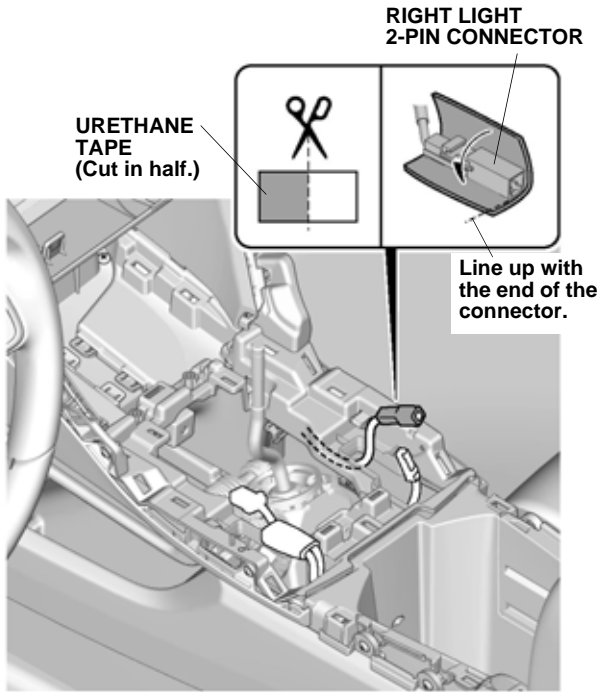
58. Secure the light harness to the vehicle harness with one wire tie.



LIGHT HARNESS

QF82505AT

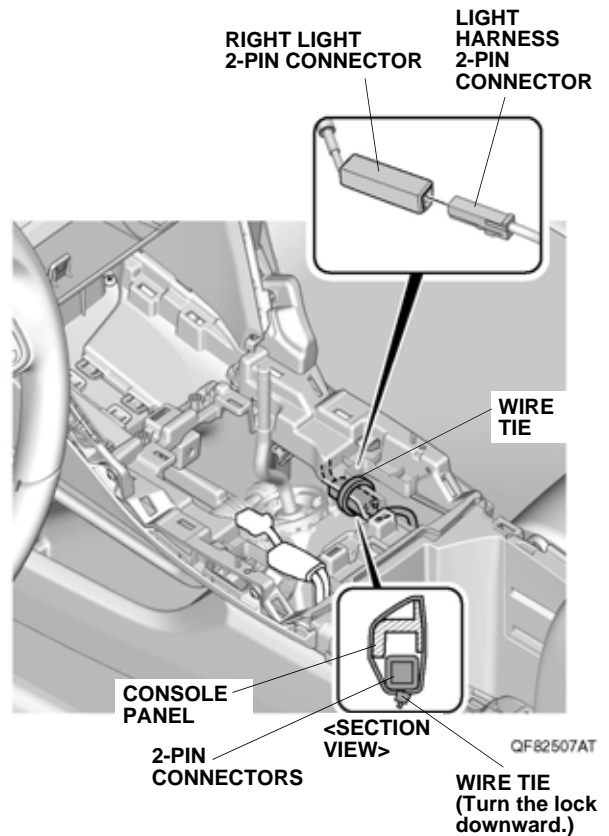
59. Install the console panel.



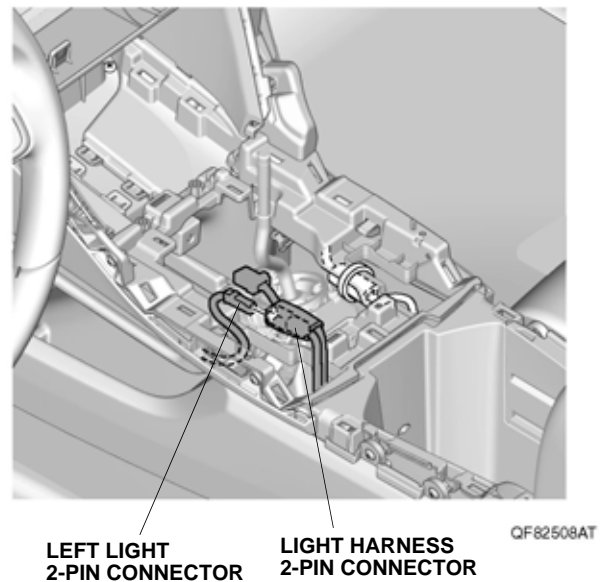
QF82506AT

60. Using scissors, cut one urethane tape in half, and attach one piece of urethane tape around the right light 2-pin connector.

61. Plug the light harness 2-pin connector into the right light 2-pin connector, and secure the 2-pin connectors to the console panel with one wire tie.

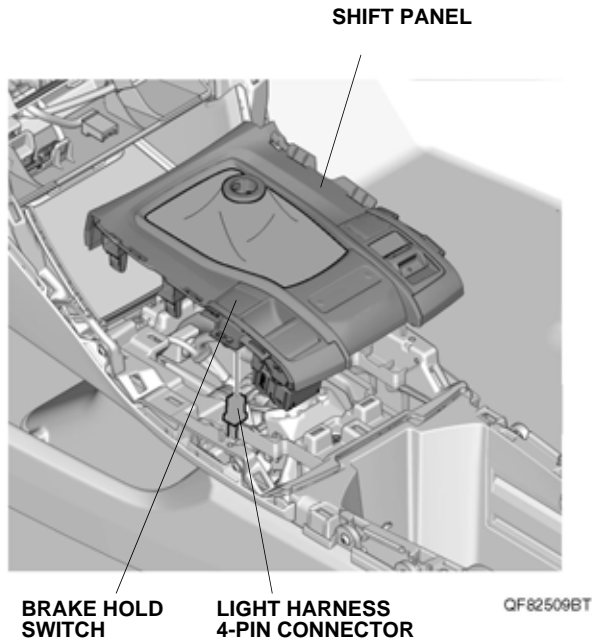


62. Plug the left light 2-pin connector into the light harness 2-pin connector.





63. Install the upper tray mat.



64. Plug the light harness 4-pin connector into the BRAKE HOLD switch, and reinstall the shift panel.
65. Check that all wire harnesses are routed properly and all connectors are plugged in.
66. Install all removed parts.
67. Connect the negative cable to the battery.
68. Press and hold the audio unit power button for 2 seconds to restore the audio and navi (if equipped) system functions.
69. Set the clock.
70. If necessary, restore the systems back to normal operation as described in the service information.

### Check the Operation of the Illuminated Console

71. With the light switch set to the “ ” or “ ” position, the illuminated console is on.
72. When the headlight switch is in the “AUTO” position, the illuminated console is on with the parking lights or headlights.
73. Check that the illuminated console brightness varies along with the instrument panel brightness by turning the brightness control knob.
74. If the illuminated console does not come on, check the fuse and all the connectors.

