



# INSTALLATION INSTRUCTIONS

Accessory  
**ILLUMINATED  
DOOR SILL TRIMS**  
P/N 08E12-T6Z-100

Application  
**2017 RIDGELINE**

Publications No.  
**VERSION 1**  
Issue Date  
**MAY 2016**

## PARTS LIST

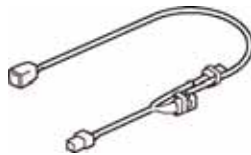
2 Illuminated door sill trims



2 Door sill trims



2 Door sill trim harnesses



14 Wire ties



2 Fuse labels



Aluminum tape



2 Alcohol swabs



Protective tape



2 Protective clips



## TOOLS AND SUPPLIES REQUIRED

Diagonal cutters

10 mm Open end wrench

Isopropyl alcohol

Scissors

Shop towel

Ruler

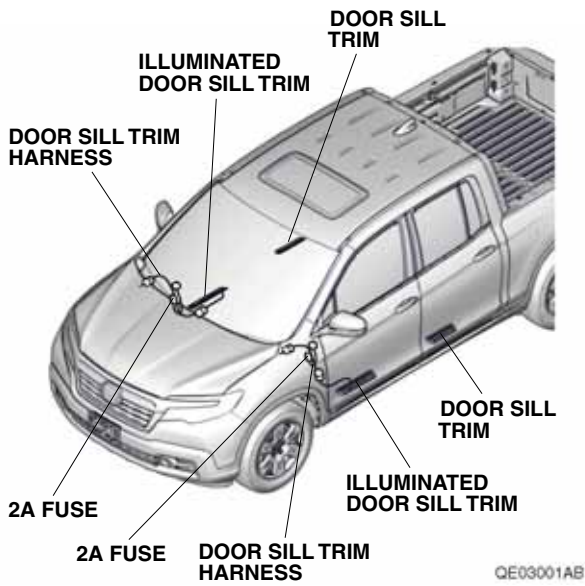
Masking tape

*The following tool is available through the Honda Tool and Equipment Program. On the iN, click on: Service > Service Bay > Tool and Equipment Program, then enter the number under "Search." Or, call 888-424-6857.*

- Trim Tool Set (T/N SOJATP2014)

- Plastic Trim Tool (T/N SILTRIMTL10)

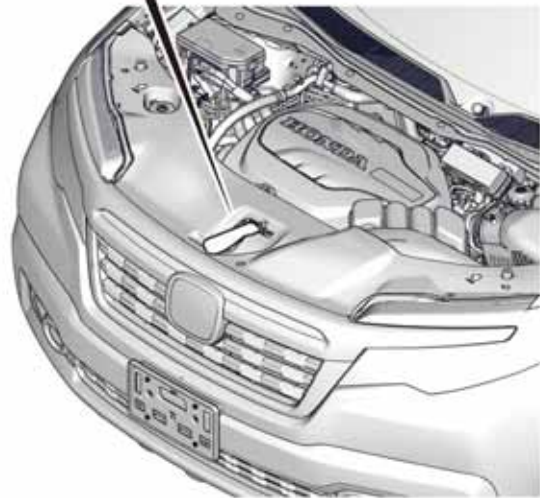
**Illustration of the Illuminated Door Sill Trims on the Vehicle**



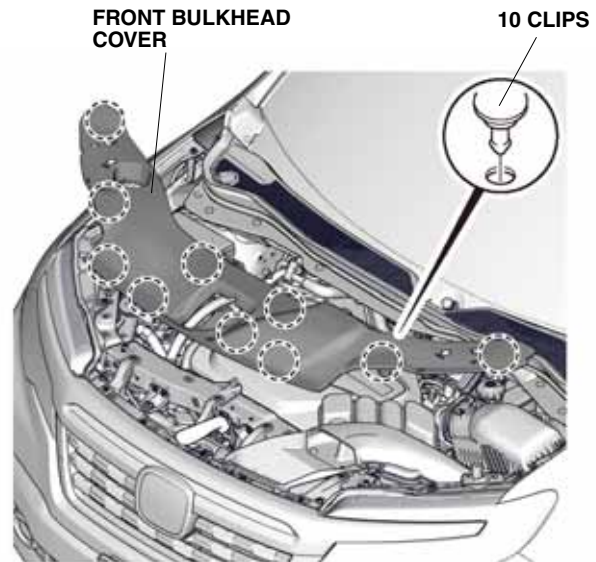
**INSTALLATION**

**Customer Information:** The information in this installation instruction is intended for use only by skilled technicians who have the proper tools, equipment, and training to correctly and safely add equipment to your vehicle. These procedures should not be attempted by “do-it-yourselfers.”

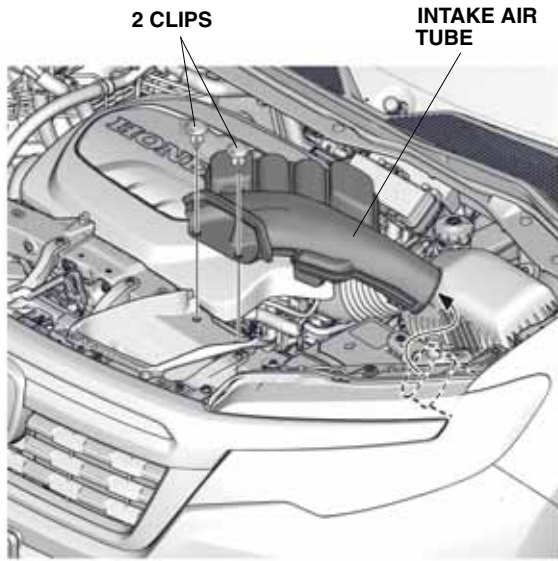
1. Disconnect the negative cable from the battery:
  - Wrap a shop towel around the hood latch.



- Remove the front bulkhead cover.

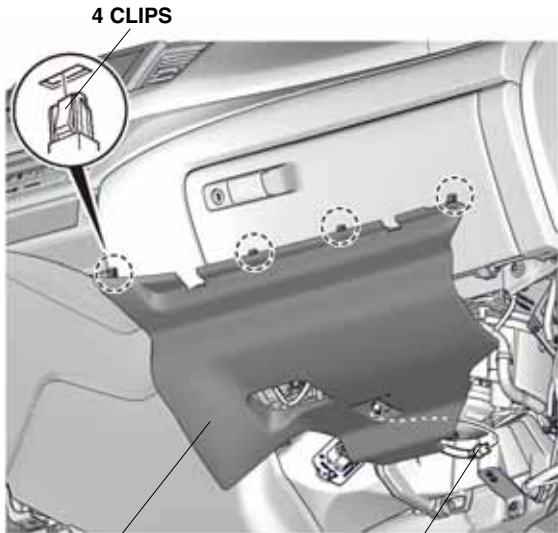


- Remove the intake air tube.
- Disconnect the negative cable from the battery.



QE01404AB

2. Remove the passenger's dashboard under cover and unplug the vehicle connector (if equipped).

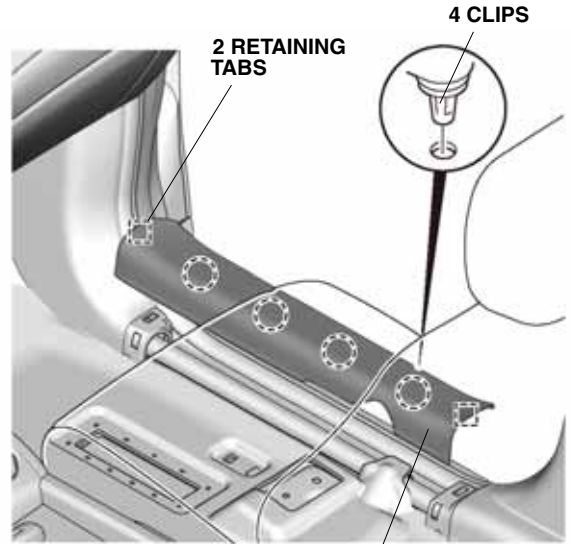


PASSENGER'S DASHBOARD UNDER COVER

VEHICLE CONNECTOR (if equipped)

QE03002AB

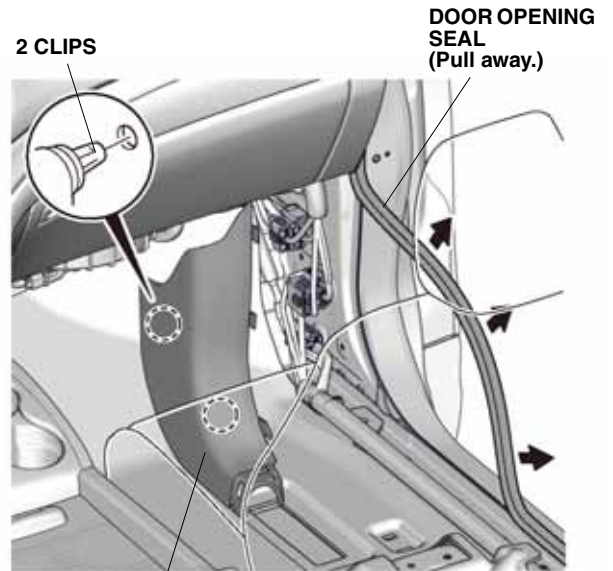
3. Remove the passenger's door sill trim.



PASSENGER'S DOOR SILL TRIM

QE03003AB

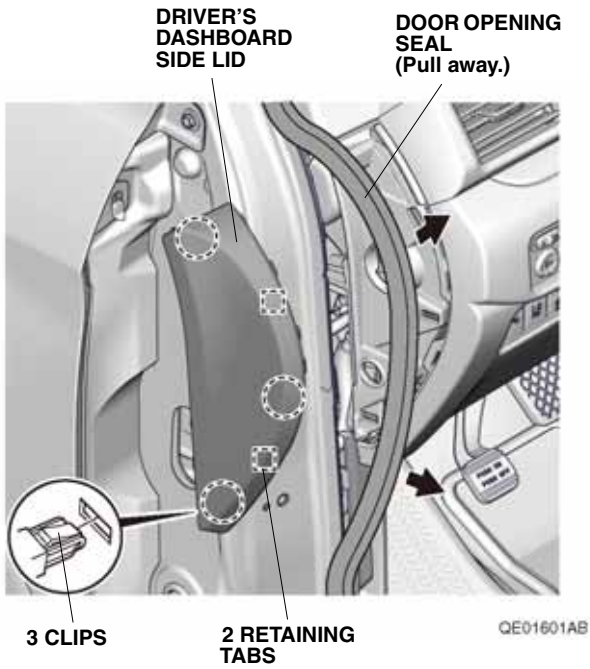
4. Pull away the door opening seal and remove the passenger's kick panel.



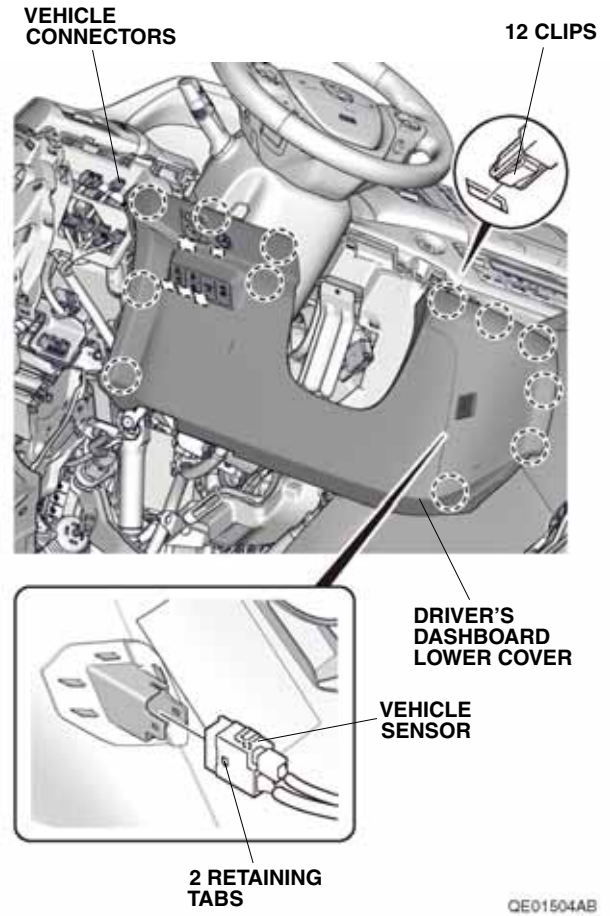
PASSENGER'S KICK PANEL

QE03004AB

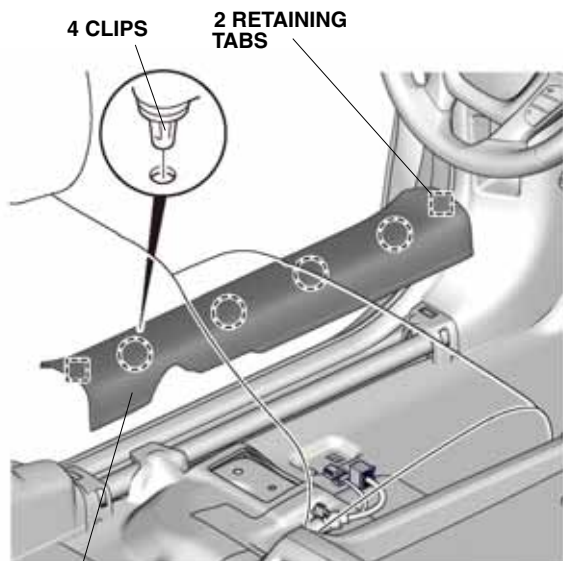
5. Pull away the door opening seal and remove the driver's dashboard side lid.



6. Remove the driver's dashboard lower cover, unplug the vehicle connectors, and release the vehicle sensor.



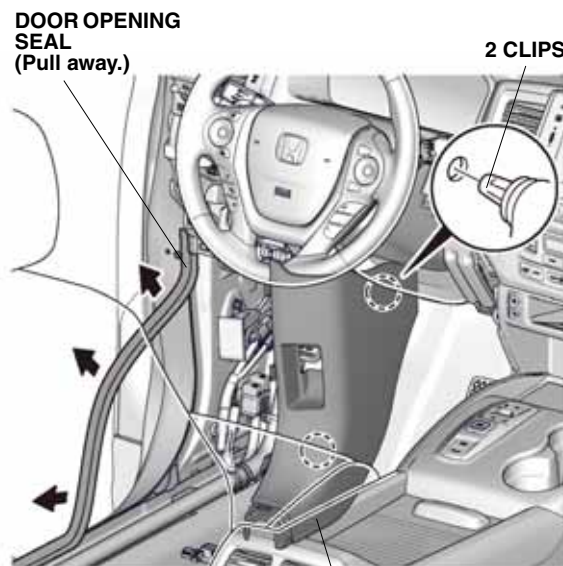
7. Remove the driver's door sill trim.



**DRIVER'S  
DOOR SILL  
TRIM**

QE03005AB

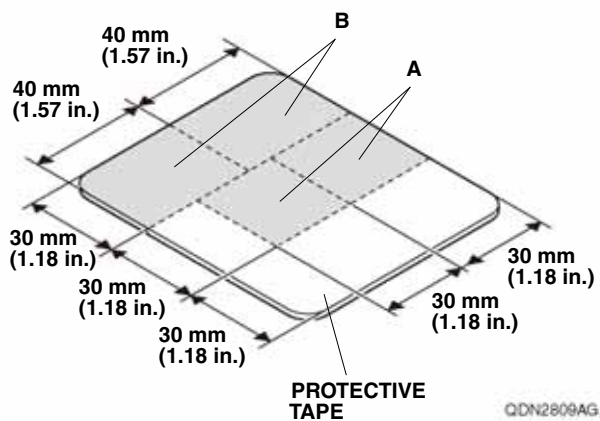
8. Pull away the door opening seal and remove the driver's kick panel.



**DRIVER'S KICK  
PANEL**

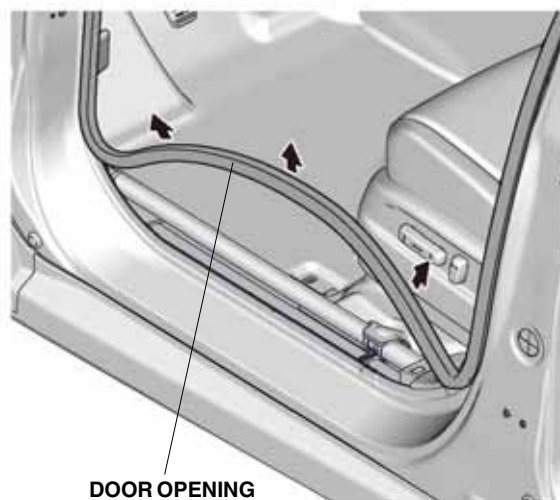
QE03006AB

9. Using scissors, cut the protective tape as shown.



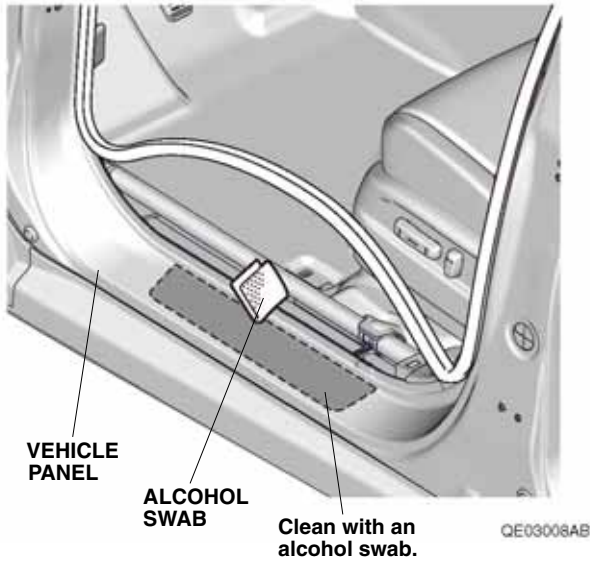
QDN2809AG

10. Pull away the door opening seal, as shown.

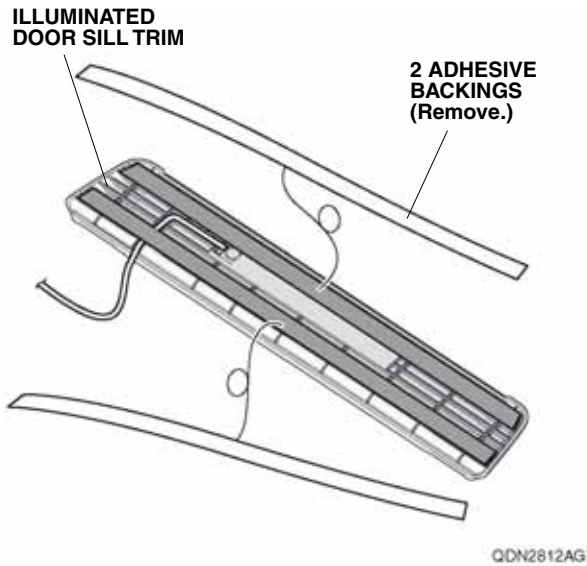


QE03007AB

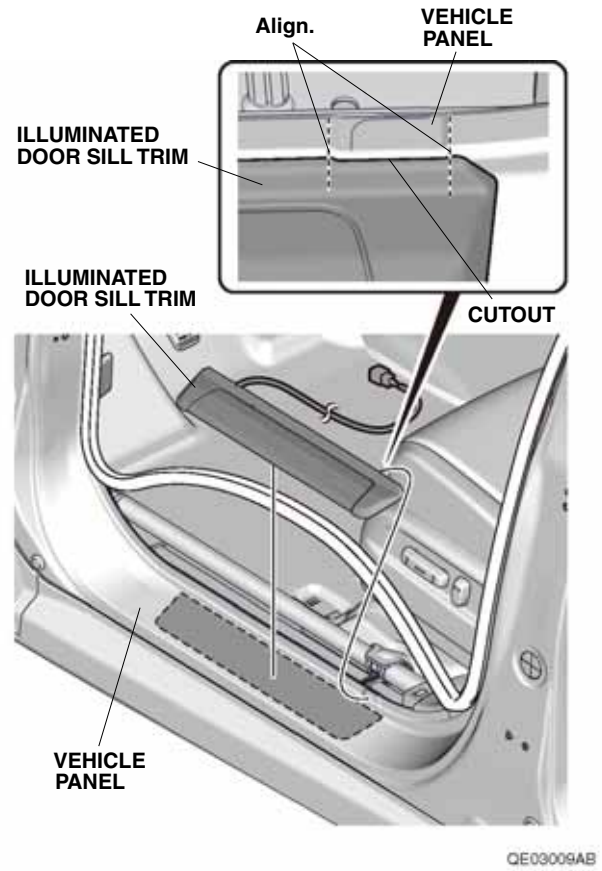
11. Using an alcohol swab, thoroughly clean the vehicle panel where the illuminated door sill trim will attach.



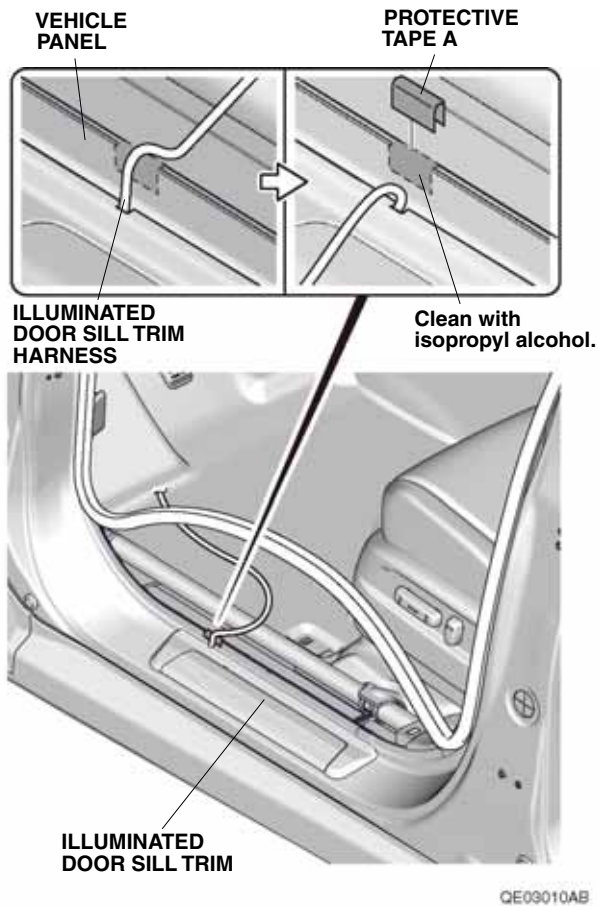
12. Remove the two adhesive backings from the illuminated door sill trim.



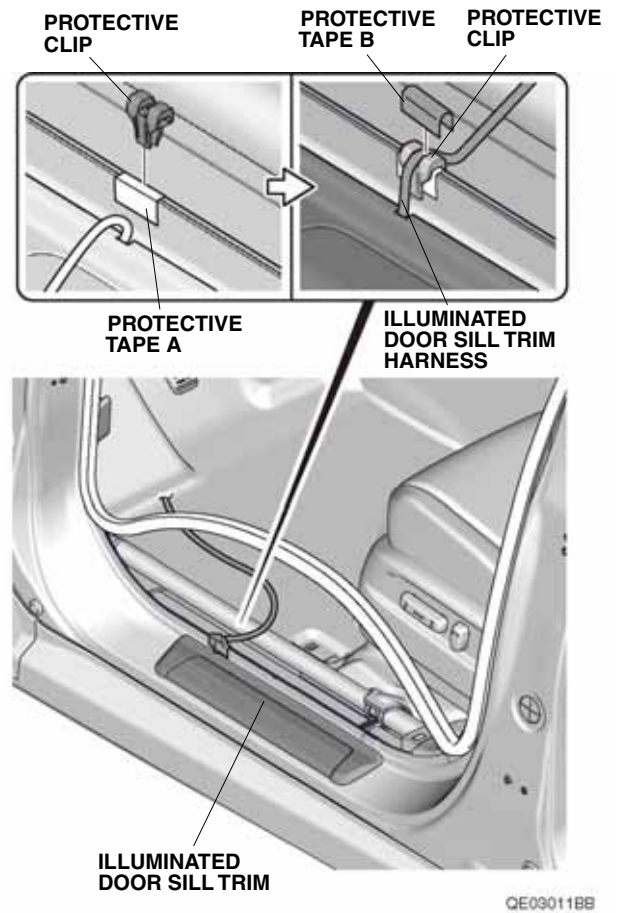
13. Align the cutout shape on the illuminated door sill trim with the bump shape on the vehicle panel. Press firmly on the adhesive part of the illuminated door sill trim.



- Using isopropyl alcohol on a shop towel, thoroughly clean the vehicle panel where the protective tape will attach. Attach one piece of protective tape A to the vehicle panel as shown.

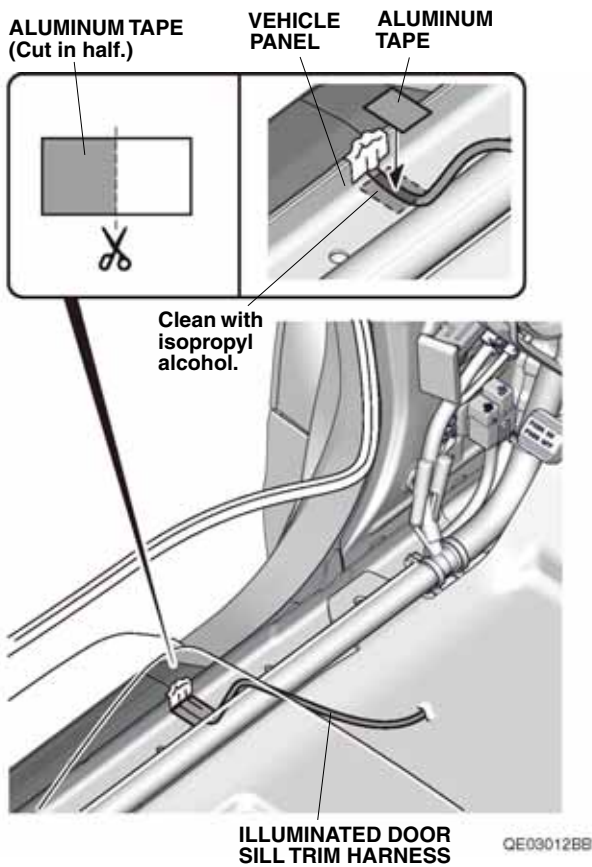


- Install the protective clip to the protective tape A on the vehicle panel.



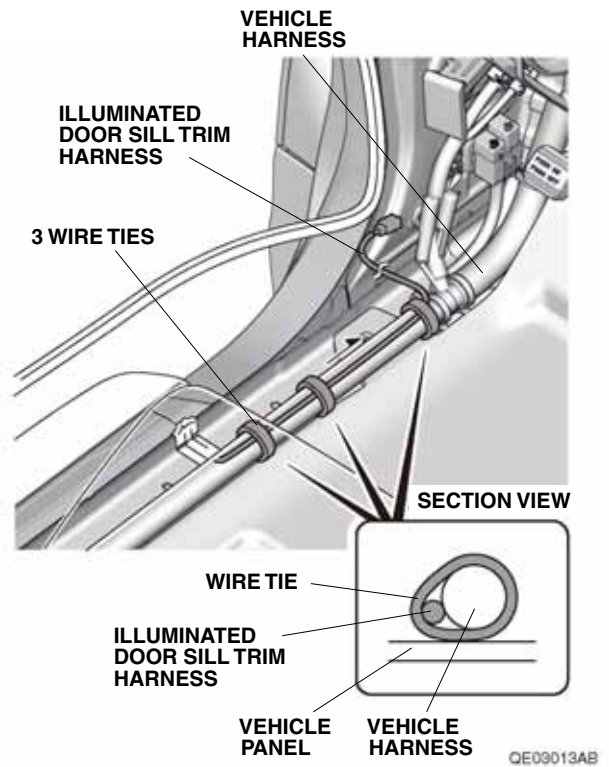
- Align and route the illuminated door sill trim harness over the protective clip as shown.
- Attach one piece of protective tape B to the protective clip.
- Repeat steps 10 through 17 to install the illuminated door sill trim on the right side of the vehicle.

- Using isopropyl alcohol on a shop towel, thoroughly clean the vehicle panel where the aluminum tape will attach.

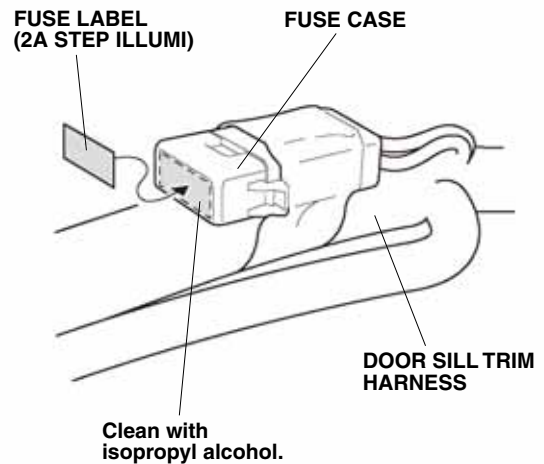


- Using scissors, cut the aluminum tape in half. Secure the illuminated door sill trim harness to the vehicle panel with one half of the aluminum tape.

- Route the illuminated door sill trim harness along the vehicle harness.



- Secure the illuminated door sill trim harness to the vehicle harness with three wire ties.
- Using isopropyl alcohol on a shop towel, thoroughly clean the fuse case where the fuse label will attach. Attach the fuse label (2A STEP ILLUMI) to the fuse case on the door sill trim harness.

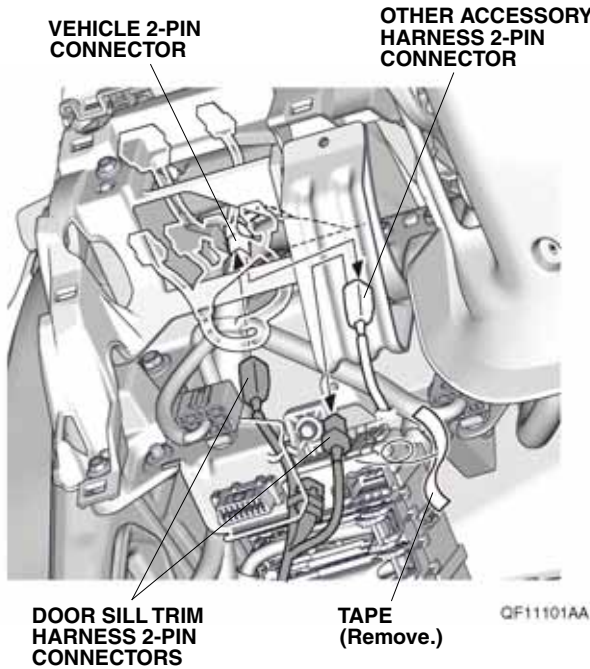




If the vehicle is equipped with the other accessory harness, continue with step 24; otherwise, go to step 26.

**With other accessory harness**

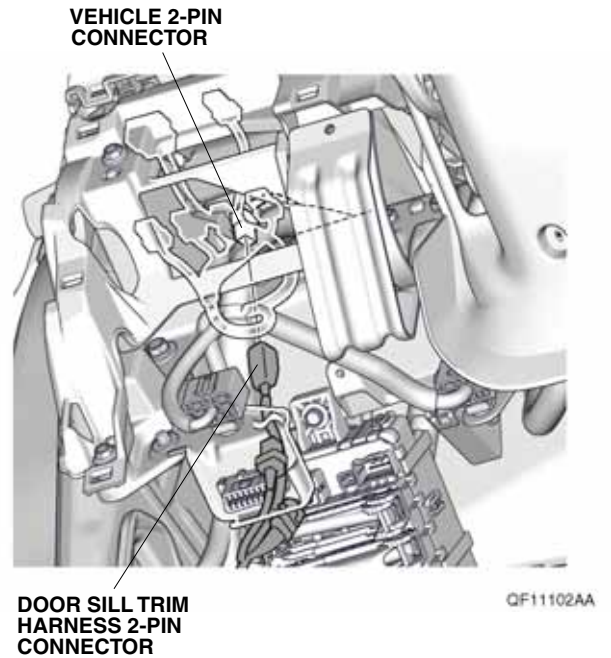
24. Unplug the other accessory harness 2-pin connector and plug the door sill trim harness 2-pin connector into the vehicle 2-pin connector.



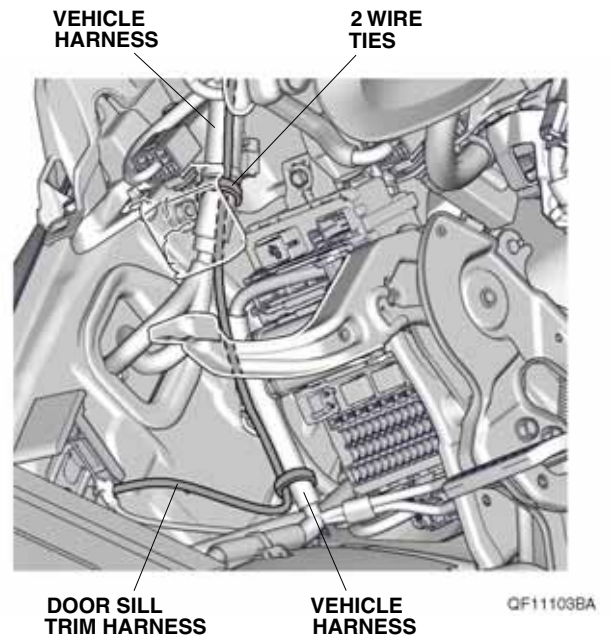
25. Remove the tape from the door sill trim harness and plug the remaining other accessory harness 2-pin connector into the door sill trim harness 2-pin connector. Go to step 27.

**Without other accessory harness**

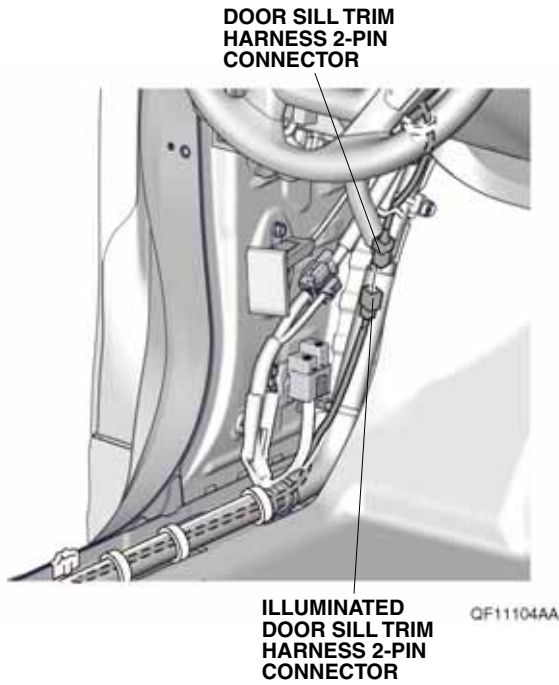
26. Plug the door sill trim harness 2-pin connector into the vehicle 2-pin connector.



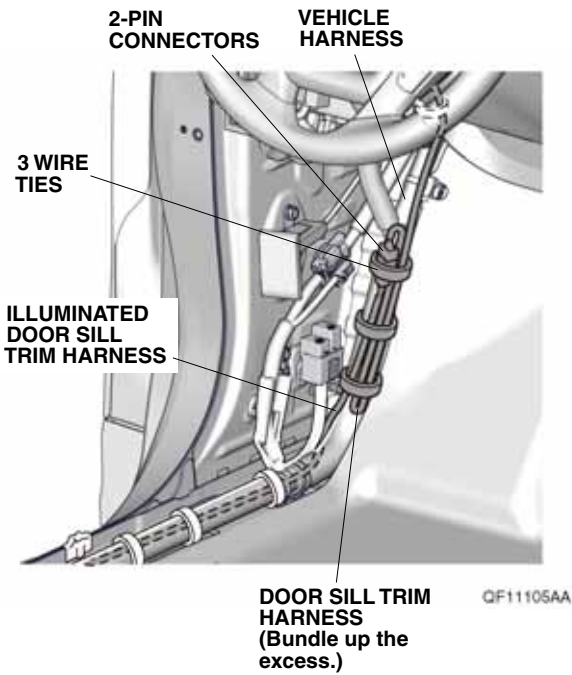
27. Secure the door sill trim harness to the vehicle harness with two wire ties.



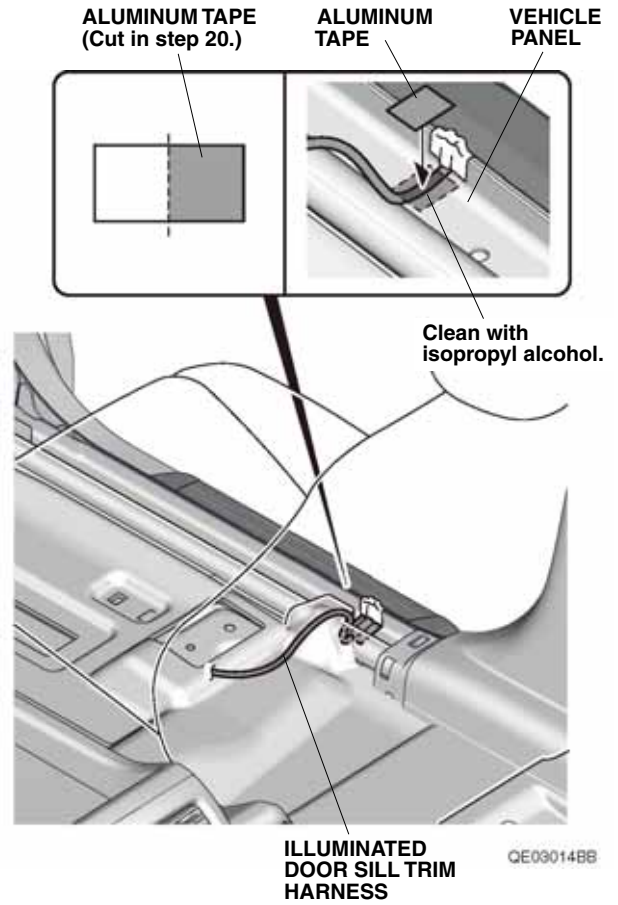
28. Plug the door sill trim harness 2-pin connector into the illuminated door sill trim harness 2-pin connector.



29. Bundle up the excess door sill trim harness and secure it and the 2-pin connectors to the vehicle harness with three wire ties.

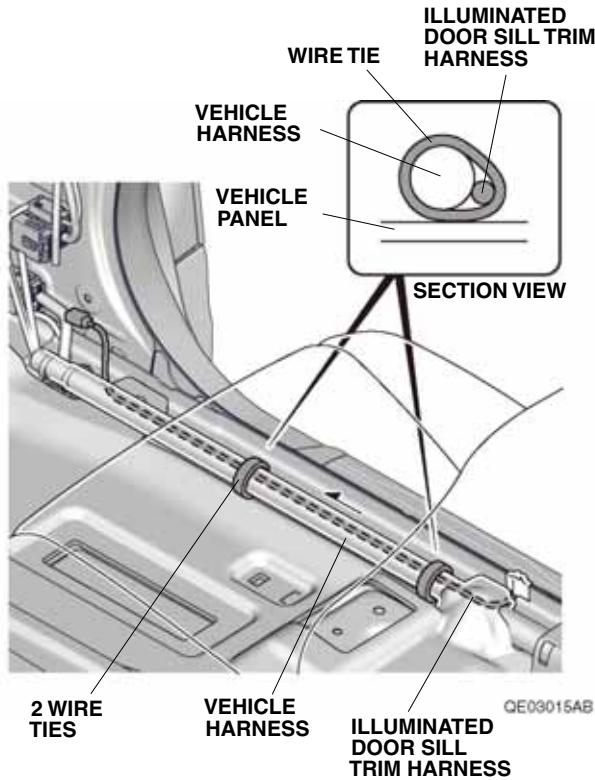


30. Using isopropyl alcohol on a shop towel, thoroughly clean the vehicle panel where the aluminum tape will attach.

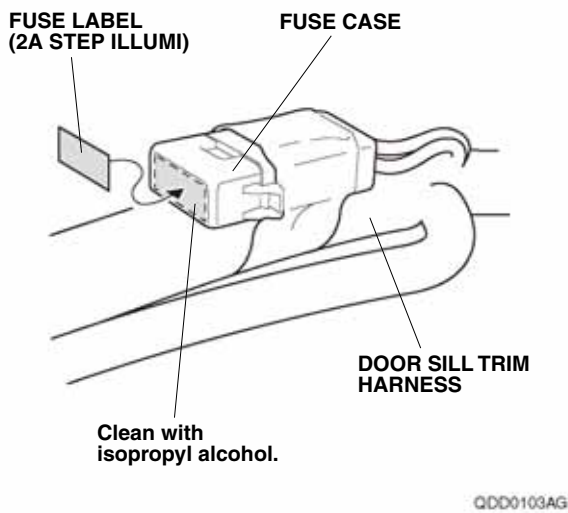


31. Secure the illuminated door sill trim harness to the vehicle panel with one piece of aluminum tape cut in step 20.

32. Route the illuminated door sill trim harness along the vehicle harness.



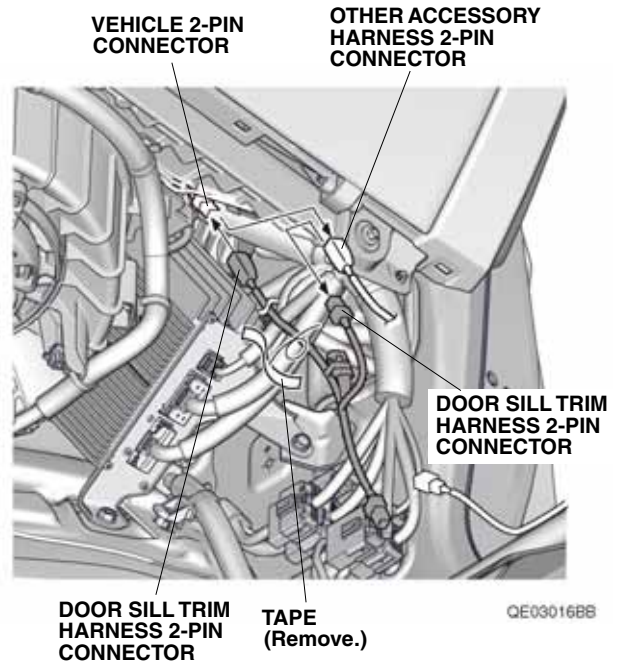
33. Secure the illuminated door sill trim harness to the vehicle harness with two wire ties.
34. Using isopropyl alcohol on a shop towel, thoroughly clean the fuse case where the fuse label will attach. Attach the fuse label (2A STEP ILLUMI) to the fuse case on the door sill trim harness.



If the vehicle is equipped with the other accessory harness, continue with step 35; otherwise, go to step 37.

With other accessory harness

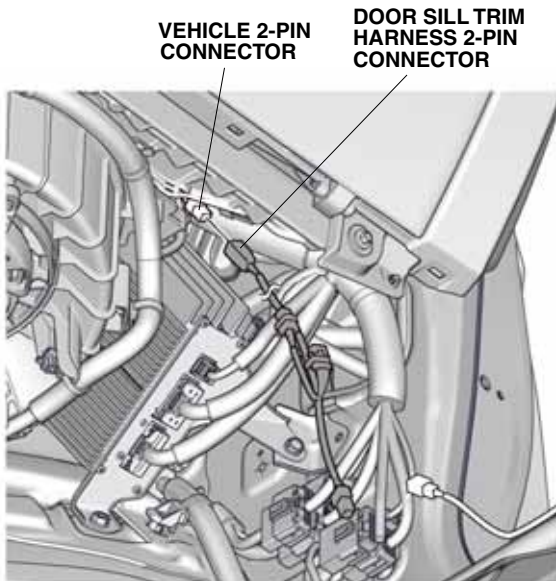
35. Unplug the other accessory harness 2-pin connector and plug the door sill trim harness 2-pin connector into the vehicle 2-pin connector.



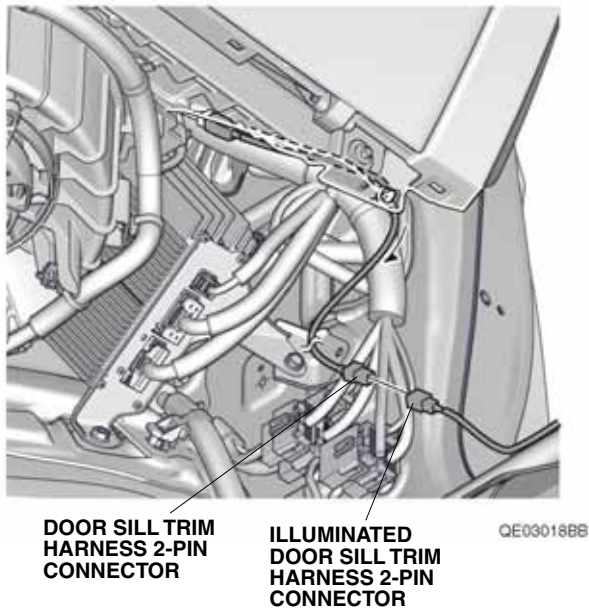
36. Remove the tape from the door sill trim harness and plug the remaining other accessory harness 2-pin connector into the door sill trim harness 2-pin connector. Go to step 38.

Without other accessory harness

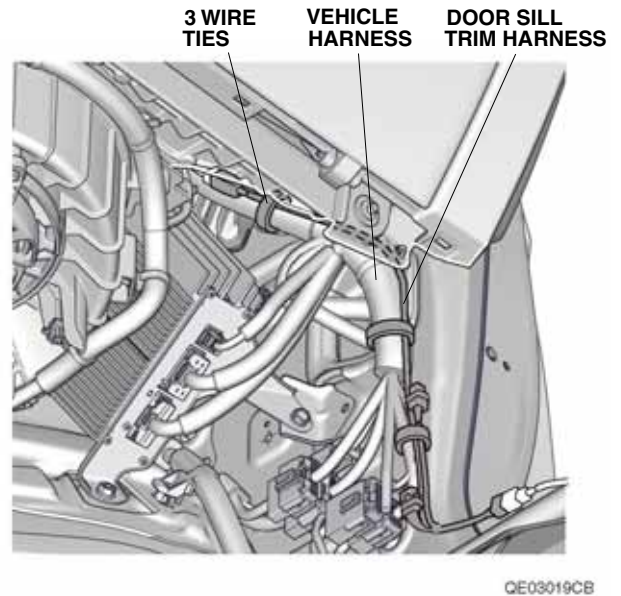
37. Plug the door sill trim harness 2-pin connector into the vehicle 2-pin connector.



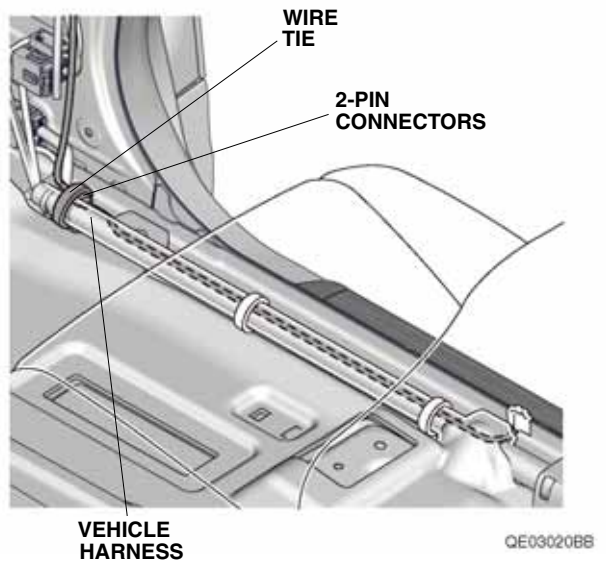
38. Plug the door sill trim harness 2-pin connector into the illuminated door sill trim harness 2-pin connector.



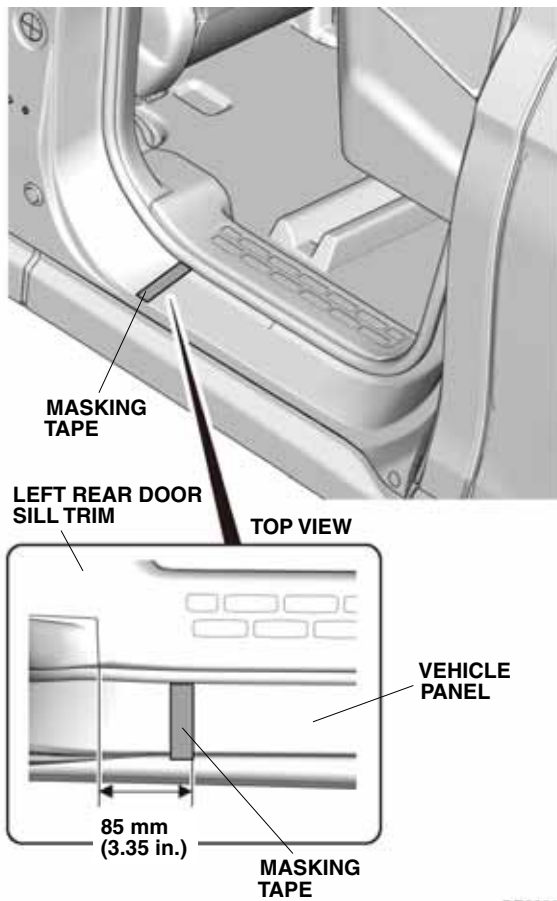
39. Secure the door sill trim harness to the vehicle harness with three wire ties.



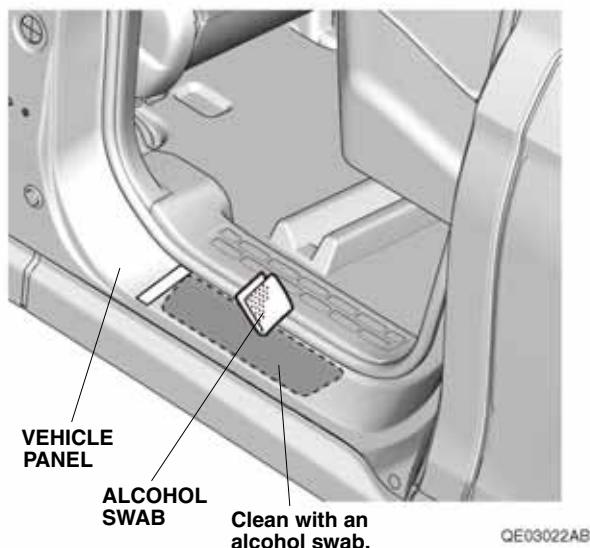
40. Secure the 2-pin connectors to the vehicle harness with one wire tie.



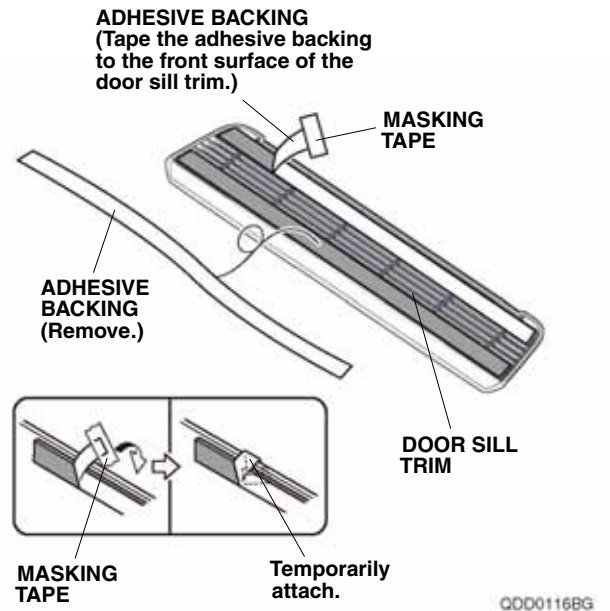
41. Attach a piece of masking tape to the vehicle panel as shown.



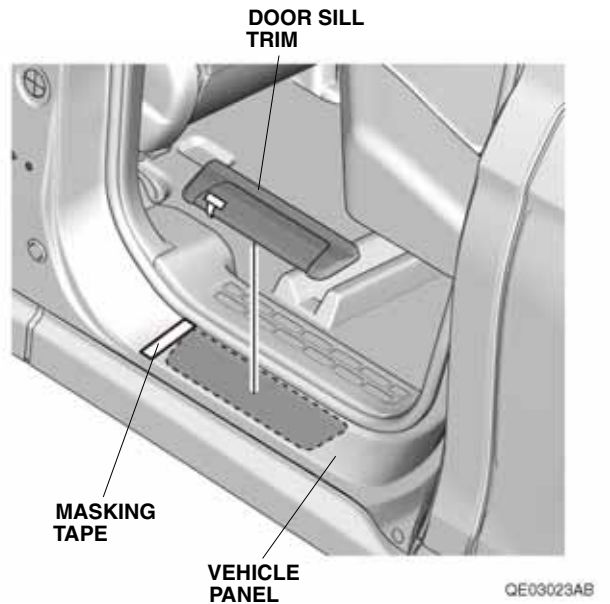
42. Using an alcohol swab, thoroughly clean the vehicle panel where the door sill trim will attach.



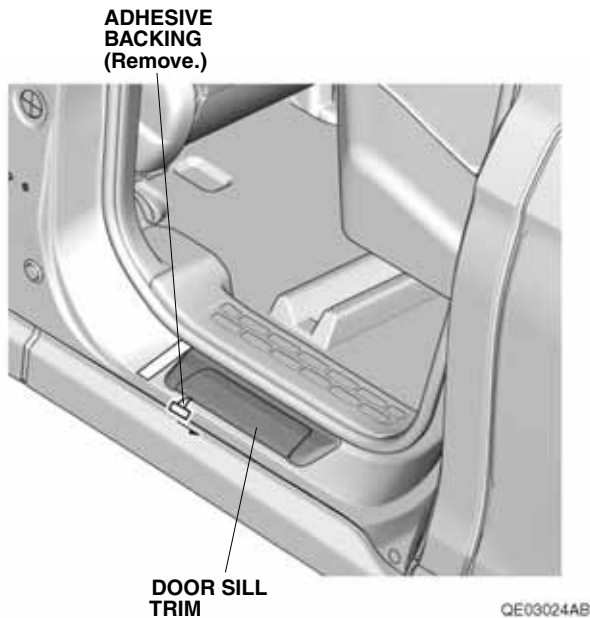
43. Peel back the adhesive backing and tape it to the front surface of the door sill trim with masking tape. Remove the adhesive backing from the door sill trim.



44. Align the door sill trim with the masking tape and install the door sill trim to the vehicle panel.



45. While applying light pressure against the door sill trim, carefully remove the adhesive backing.



46. Repeat steps 41 through 45 to install the door sill trim on the right side of the vehicle.
47. Check that all wire harnesses are routed properly and all connectors are plugged in.
48. Install all removed parts except for the front bulkhead cover and the intake air tube.
49. Connect the negative cable to the battery.
50. Install the front bulkhead cover and the intake air tube.
51. Press and hold the audio unit power button for 2 seconds to restore the audio and navi (if equipped) system functions.
52. Set the clock on vehicles without navigation.
53. If necessary the systems back to normal operation as described in the service information.

#### **Check the Operation of the Illuminated Door Sill Trims**

54. Make sure the light comes on when you open each door.